

SINGLE PHASE STACKABLE CONTROLLER

FEATURES

- Stackable to 8 Phases, Multiple Controllers Can Occupy Any Phase
- 2-V to 40-V Power Stage Operation Range
- eTrim™ in System Reference Voltage Trim to Tighten Overall Output Voltage Tolerance, Reference is Better Than 0.75% Un-Trimmed
- VDD From 4.5 V to 15 V, With Internal 5-V Regulator
- Supports Output Voltage From 0.7 V to 5.8 V
- Supports Pre-Biased Outputs
- 10- μ A Shutdown Current
- Programmable Switching Frequency up to 1-MHz per Phase
- Current Feedback Control With Forced Current Sharing (Patents Pending)
- Resistive Divider Sets Input Undervoltage Lockout and Hysteresis
- True Remote Sensing Differential Amplifier
- Resistive or Inductor's DCR Current Sensing

APPLICATIONS

- Graphic Cards
- Servers
- Networking Equipment
- Telecommunications Equipment
- Distributed DC Power Systems

CONTENTS

Description	1
Device Ratings	3
Electrical Characteristics	4
Terminal Information	7
Typical Characteristics	10
Application Information	15
Design Example	35

DESCRIPTION

The TPS40180 is a stackable single-phase synchronous buck controller. Stacking allows a modular power supply design where multiple modules can be connected in parallel to achieve the desired output power capability if the output power requirement cannot be provided by one module. Stacked modules can be configured to switch at different times while running at the same base frequency creating a multiple phase supply. Up to eight phases can be configured, and multiple modules can be set up to switch on the same phase if required. Input and output ripple current reduction occurs as well when modules are stacked. Stacked modules can be used to generate separate output rails, load share into a single rail or a combination of the two while sharing phase information to reduce ripple currents at the input of the system.

The TPS40180 is optimized for low-output voltage (from 0.7-V to 5.8-V), high-output current applications powered from a 2-V to 40-V supply. The TPS40180 converts from 15-V input to 0.7-V output at 1 MHz. Each phase can be operated at a switching frequency up to 1 MHz, resulting in an effective ripple frequency of up to 8 MHz at the input and the output.

With eTrim™, the TPS40180 gives the user the capability to trim the reference voltage on the device to compensate for external component tolerances, tightening the overall system accuracy and allowing tighter specifications for output voltage of the converter.



Please be aware that an important notice concerning availability, standard warranty, and use in critical applications of Texas Instruments semiconductor products and disclaimers thereto appears at the end of this data sheet.

eTrim is a trademark of Texas Instruments.



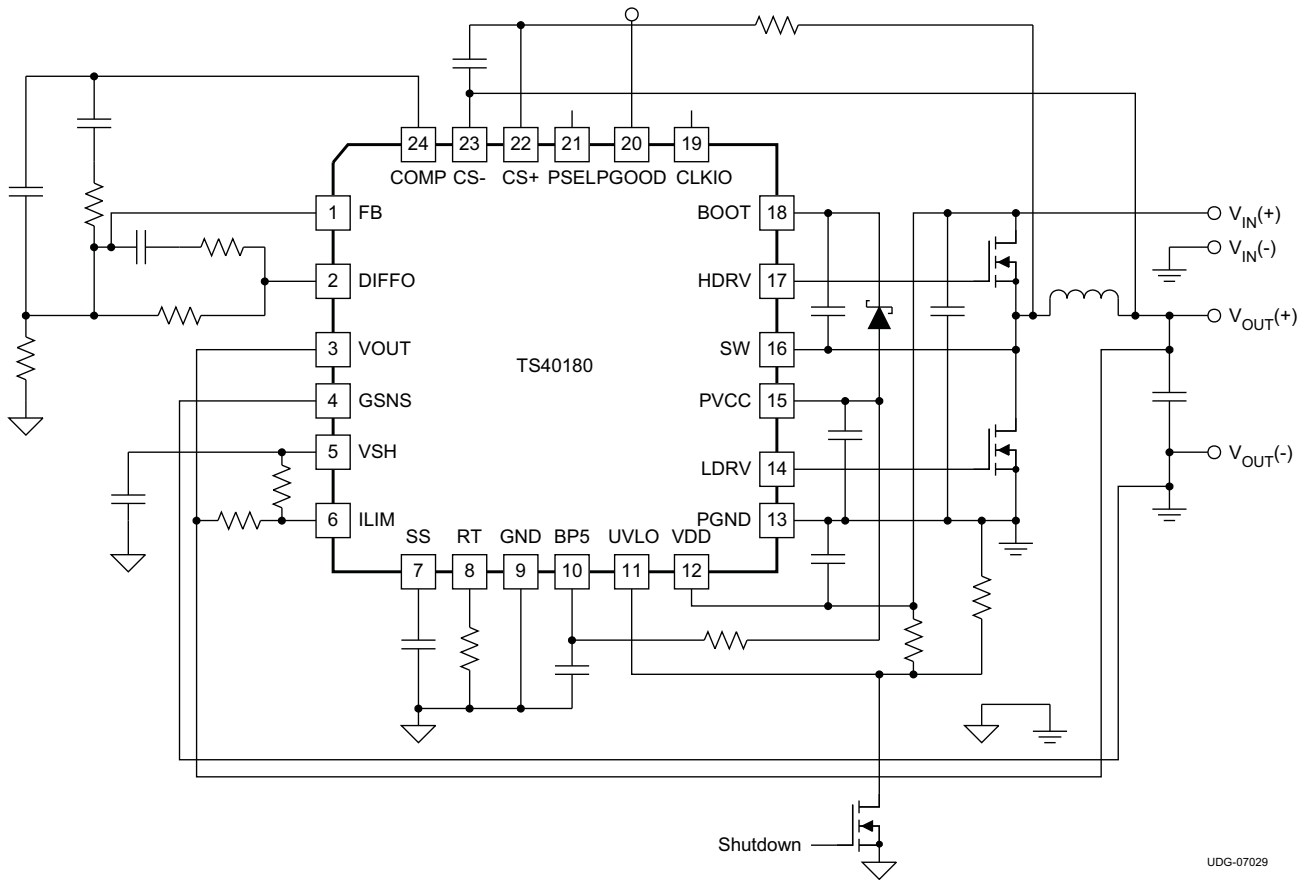
These devices have limited built-in ESD protection. The leads should be shorted together or the device placed in conductive foam during storage or handling to prevent electrostatic damage to the MOS gates.

ORDERING INFORMATION

PACKAGE ⁽¹⁾	TAPE AND REEL QUANTITY	PART NUMBER
Plastic 24-Pin QFN (RGE)	250	TPS40180RGET
	3000	TPS40180RGER

(1) For the most current package and ordering information, see the Package Option Addendum at the end of this document, or see the TI website at www.ti.com.

TYPICAL APPLICATION



UDG-07029

DEVICE RATINGS

ABSOLUTE MAXIMUM RATINGS⁽¹⁾

			TPS40180	UNIT
V _I	Input voltage range	VDD, UVLO, RT, SS	-0.3 to 16	V
		FB, VOUT, GSNS, VSH, ILIM, BP5, PSEL, CS+, CS-, VS+, VS-	-0.3 to 6	
V _O	Output voltage range	BOOT – HDRV	-0.3 to 6	V
		SW, HDRV	-1 to 44	
		SW, HDRV, transient < 50 ns	-5 to 44	
		DIFFO, LDRV, PVCC, CLKIO, PGOOD, COMP	-0.3 to 6	
		PGOOD (eTrim™ usage only)	-0.3 to 22	
T _J	Operating junction temperature range		-40 to 150	°C
T _{stg}	Storage temperature range		-55 to 150	

- (1) Stresses beyond those listed under "absolute maximum ratings" may cause permanent damage to the device. These are stress ratings only, and functional operation of the device at these or any other conditions beyond those indicated under "recommended operating conditions" is not implied. Exposure to absolute-maximum-rated conditions for extended periods may affect device reliability.

RECOMMENDED OPERATING CONDITIONS

		MIN	NOM	MAX	UNIT
V _I	VDD, UVLO	4.5		15	V
	SW	-1		40	
	BOOT - SW		5.5		
	All Other Pins	0		5.8	
	RT			25	μA
	PSEL			150	
T _J	Operating junction temperature	-40		105	°C

ELECTROSTATIC DISCHARGE (ESD) PROTECTION

		MIN	NOM	MAX	UNIT
Human Body Model (HBM)				2500	V
Charged Device Model (CDM)				1500	

PACKAGE DISSIPATION RATINGS⁽¹⁾

THERMAL IMPEDANCE JUNCTION-TO-AMBIENT (°C/W)	AIRFLOW (LFM)	T _A = 25°C POWER RATING (W)	T _A = 85°C POWER RATING (W)
42	Natural Convection	2.38	0.950
35	200	2.85	1.14
32	400	3.10	1.25

- (1) Ratings based on JEDEC High Thermal Conductivity (High K) Board. For more information on the test method, see TI Technical Brief SZZA017.

ELECTRICAL CHARACTERISTICS

$V_{VDD} = 12V$, $V_{BP5} = 5V$, $V_{PVCC} = 5V$, $-40^{\circ}C < T_J < 85^{\circ}C$ (unless otherwise noted)

PARAMETER		TEST CONDITIONS	MIN	TYP	MAX	UNIT
VDD INPUT SUPPLY						
V_{VDD}	Operating voltage range		4.5	12	15	V
I_{VDDSD}	Shutdown current	$V_{UVLO} < 0.5 V$			50	μA
BP5 INPUT SUPPLY						
V_{BP5}	Operating voltage range		4.3	5.0	5.5	V
I_{BP5}	Operating current		2	3	5	mA
V_{BP5UV}	Rising undervoltage turn on threshold		4.0	4.25	4.5	V
V_{BP5UVH}	BP5 UVLO hysteresis			225		mV
PVCC REGULATOR						
V_{PVCC}	Output voltage	$4.5 V < V_{VDD} < 15 V$	4.3	5.0	5.5	V
I_{PVCC}	Output current		0		50	mA
OSCILLATOR						
F_{OSC}	Oscillator frequency	$R_{RT} = 64.9 k\Omega$	360	415	454	kHz
	Oscillator frequency range		150		1000	
V_{RMP}	Ramp voltage ⁽¹⁾		420	500	525	mV
$V_{RTCKLSLV}$	RT pin clock slave voltage threshold				2	V
DIGITAL CLOCK SIGNAL (CLKIO)						
R_{CLKH}	Pull Up Resistance ⁽¹⁾			27		Ω
R_{CLKL}	Pull Down Resistance ⁽¹⁾			27		
$I_{CLKIOLK}$	Leakage current in high impedance state ⁽¹⁾	$V_{RT} < 2 V$, $V_{PSEL} = 5 V$			1	μA
UVLO PIN						
$V_{UVLO(on)}$	PVCC regulator enabled		0.8	0.9	1.5	V
	PWM switching enabled		1.9	2.0	2.1	
I_{UVLO}	Hysteresis bias current		9	12	15	μA
PULSE WIDTH MODULATOR						
D_{MAX}	Maximum duty cycle	8 phase CLK scheme		87.5%		
		6 phase CLK scheme		83%		
$t_{ON(min)}$	Minimum pulse width ⁽¹⁾			75		ns
VSHARE						
V_{VSH}	Current share reference; Ramp valley voltage	$R_{LOAD} = 20 k\Omega$	1.7	1.8	1.9	V
ERROR AMPLIFIER						
I_{IB}	Input bias current at FB pin	$V_{FB} = 0.7 V$	-200	0	200	nA
V_{REF}	Trimmed FB control voltage (includes differential sense amp offset)		695	700	705	mV
I_{OH}	COMP source current	$V_{COMP} = 1.1V$, $V_{FB} = 0.6 V$	1	2		mA
I_{OL}	COMP sink current	$V_{COMP} = 1.1V$, $V_{FB} = 0.8 V$	1	2		
EA_{GBWP}	Gain bandwidth product ⁽¹⁾		8	12		MHz
A_{OL}	Open loop gain ⁽¹⁾		60	90		dB
SOFTSTART						
I_{SS1}	Charging Current: device Enabled, Before First PWM Pulse and During Hiccup Fault Recovery		6.5	7.5	8.2	μA
I_{SS2}	Charging Current After First PWM Pulse		12	15	17	
V_{SS_FE}	Fault Enable Threshold			0.8		V
V_{SSSLV}	Voltage loop slave mode threshold voltage	$V_{BP5} = 5V$			$V_{BP5} - 0.75$	
CURRENT LIMIT						
I_{LIM}	Threshold setting current		21.5	23.5	25.5	μA

(1) Specified by design. Not production tested .

ELECTRICAL CHARACTERISTICS (continued)

$V_{VDD} = 12V$, $V_{BP5} = 5V$, $V_{PVCC} = 5V$, $-40^{\circ}C < T_J < 85^{\circ}C$ (unless otherwise noted)

PARAMETER		TEST CONDITIONS	MIN	TYP	MAX	UNIT
CURRENT SENSE AMPLIFIER						
V_{ISOFS}	Input offset voltage		-2.5	0	2.5	mV
I_{IB_CS}	Input bias current			100		nA
G_{CS}	Gain at PWM Input	$0.2V \leq V_{ICM} \leq 5.8V$	11.25	12.5	13.75	V/V
V_{ICM}	Input common mode range		0		5.8	V
V_{DIFFMX}	Maximum differential input voltage		-60		60	mV
DIFFERENTIAL REMOTE VOLTAGE SENSE AMPLIFIER						
G_{RVS}	Gain	$0.7V < V_{(VOUT)} - V_{(GSNS)} < 5.8V$	0.995	1.000	1.005	V/V
I_{DIFFOH}	DIFFO source current	$V_{(VOUT)} - V_{(GSNS)} = 2V$, $V_{(DIFFO)} > 1.98V$, $V_{(VDD)} - V_{(VOUT)} > 2V$			2	mA
		$V_{(VOUT)} - V_{(GSNS)} = 5.8V$, $V_{(DIFFO)} > 5.6V$, $V_{(VDD)} - V_{(VOUT)} = 1V$			1	
I_{DIFFOL}	DIFFO sink current	$V_{(VOUT)} - V_{(GSNS)} = 2V$, $V_{(DIFFO)} \geq 2.02V$			2	mA
BW_{DIFFA}	Unity gain bandwidth ⁽²⁾		5	8		MHz
$R_{INDIFFA}$	Input resistance, inverting	DIFFO to GSNS		60		k Ω
	Input resistance, noninverting	OUT to GND		60		
PSEL PIN						
I_{ISEL}	Bias current		21.5	23.5	25.5	μ A
V_{MNCLK}	Master mode, no output on CLKIO		0	0	0.5	V
V_{M8PH}	Master mode, 6 phase CLKIO		0.5	0.7	0.9	
V_{M6PH}	Master mode, 8 phase CLKIO		0.9			
V_{SSTDBY}	Slave mode, standby state		3.4			
V_{S45}	Clock slave mode, 8 phase CLKIO, 45° phase slot ⁽²⁾		0	0	0.2	
V_{S90}	Clock slave mode, 8 phase CLKIO, 90° phase slot ⁽²⁾		0.2	0.35	0.5	
V_{S135}	Slave mode, 8 phase CLKIO, 135° phase slot ⁽²⁾		0.5	0.7	0.9	
V_{S180}	Clock slave mode, 8 phase CLKIO, 180° phase slot ⁽²⁾		0.9	1.1	1.3	
V_{S225}	Clock slave mode, 8 phase CLKIO, 225° phase slot ⁽²⁾		1.3	1.6	1.9	
V_{S270}	Clock slave mode, 8 phase CLKIO, 270° phase slot ⁽²⁾		1.9	2.25	2.6	
V_{S315}	Clock slave mode, 8 phase CLKIO, 315° phase slot ⁽²⁾		2.6	3.0	3.4	
V_{S0}	Clock slave mode, 6 phase CLKIO, 0° phase slot ⁽²⁾		1.9	2.25	2.6	
V_{S60}	Clock slave mode, 6 phase CLKIO, 60° phase slot ⁽²⁾		0	0	0.2	
V_{S120}	Clock slave mode, 6 phase CLKIO, 120° phase slot ⁽²⁾		0.2	0.35	0.5	
V_{S180}	Clock slave mode, 6 phase CLKIO, 180° phase slot ⁽²⁾		0.5	0.7	0.9	
V_{S240}	Clock slave mode, 6 phase CLKIO, 240° phase slot ⁽²⁾		0.9	1.1	1.3	
V_{S300}	Clock slave mode, 6 phase CLKIO, 300° phase slot ⁽²⁾		1.3	1.6	1.9	

(2) Specified by design. Not production tested .

ELECTRICAL CHARACTERISTICS (continued)

$V_{VDD} = 12V$, $V_{BP5} = 5V$, $V_{PVCC} = 5V$, $-40^{\circ}C < T_J < 85^{\circ}C$ (unless otherwise noted)

PARAMETER		TEST CONDITIONS	MIN	TYP	MAX	UNIT
GATE DRIVERS						
$R_{HDRV(on)}$	HDRV Pull Up Resistance	$V_{BOOT} = 5V$, $V_{(SW)} = 0V$, $I_{HDRV} = 100mA$	1	2	3	Ω
$R_{HDRV(off)}$	HDRV Pull Down Resistance	$V_{BOOT} = 5V$, $V_{SW} = 0V$, $I_{HDRV} = 100mA$	0.5	1	2	
$R_{LDRV(on)}$	LDRV pull up resistance	$V_{PVCC} = 5V$, $I_{LDRV} = 100mA$	1	2	3.5	
$R_{LDRV(off)}$	LDRV pull down resistance	$V_{PVCC} = 5V$, $I_{LDRV} = 100mA$	0.3	0.75	1.5	
$t_{HDRV(r)}$	HDRV rise time ⁽³⁾	$C_{LOAD} = 3.3nF$		25	75	ns
$t_{HDRV(f)}$	HDRV fall time ⁽³⁾			25	75	
$t_{LDRV(r)}$	LDRV rise time ⁽³⁾			25	75	
$t_{LDRV(f)}$	LDRV fall time ⁽³⁾			10	60	
POWER GOOD						
V_{FBPG_H}	Powergood high FB voltage threshold		764	787	798	mV
V_{FBPG_L}	Powergood low FB voltage threshold		591	611	626	
$V_{FBPG(hyst)}$	Powergood threshold hysteresis		30		60	
T_{PGDLY}	Powergood delay time ⁽³⁾			10		μs
V_{PGL}	Powergood low level output voltage	$I_{PG} = 2mA$		0.35	0.40	V
I_{PGLK}	Powergood leakage current	$V_{PG} = 5V$		1		μA
OVERVOLTAGE AND UNDERVOLTAGE						
V_{FB_U}	FB pin under voltage threshold		565	580	595	mV
V_{FB_O}	FB pin over voltage threshold		792	810	828	
THERMAL SHUTDOWN						
T_{TSD}	Shutdown Temperature ⁽³⁾		126	135	144	$^{\circ}C$
$T_{TSD(hyst)}$	Hysteresis ⁽³⁾			40		
T_{WRN}	Warning Temperature ⁽³⁾		106	115	124	
$T_{WR(hyst)}$	Hysteresis ⁽³⁾			10		

(3) Specified by design. Not production tested .

TERMINAL INFORMATION

TERMINAL FUNCTIONS

TERMINAL		I/O	DESCRIPTION
NAME	NO.		
FB	1	I	Inverting input to the internal error amplifier. Normally this pin is at the reference voltage of 700 mV.
DIFFO	2	O	Output of the remote sense amplifier. Amplifier is fixed gain of 1 differential mode and is used for output voltage sensing at the load to eliminate distribution drops.
VOUT	3	I	Positive input to the remote sense amplifier. Amplifier is fixed gain of 1 differential mode and is used for output voltage sensing at the load to eliminate distribution drops.
GSNS	4	I	Negative input to the remote sense amplifier. Amplifier is fixed gain of 1 differential mode and is used for output voltage sensing at the load to eliminate distribution drops.
VSH	5	I/O	Pin is either an input or an output. If the chip is configured as a voltage loop master the valley voltage is output on this pin and is distributed to the slave devices. If configured as a voltage loop slave, the master VSH pin is connected here and the device uses the master valley voltage reference to improve current sharing.
ILIM	6	I	Programs the overcurrent limit of the device. Connecting a resistor from this pin to VSH and another to VOUT on the voltage loop master sets a voltage above VSH. COMP is not allowed to exceed this voltage. If the load current requirements force COMP to this level for seven clock cycles, an overcurrent event is declared, and the system shuts down and enter a hiccup fault recovery mode. The controller attempts to restart after a time period given by seven soft-start cycles.
SS	7	I	Soft-start input. This pin determines the startup ramp time for the converter as well as overcurrent and other fault recovery timing. The voltage at this pin is applied as a reference to the error amplifier. While this voltage is below the precision 700 mV reference, it acts as the dominant reference to the error amp providing a closed loop startup. After it rises above the 700 mV precision reference, the 700 mV precision reference dominates and the output regulates at the programmed level. In case of an overcurrent event, the converter attempts to restart after a period of time defined by seven soft-start cycles. Additionally this pin is used to configure the chip as a voltage loop master or slave. If the pin is tied to VDD or PVCC at power up, the device is in voltage loop slave mode. Otherwise, the device is a voltage loop master.
RT	8	I	Frequency programming pin. Connecting a resistor from this pin to GND sets the switching frequency of the device. If this pin is connected to VDD or PVCC, the device is a clock slave and gets its time base from CLKIO of the clock master device. Phase addressing is done on PSEL.
GND	9	–	Signal level ground connection for the device. All low level signals at the device should be referenced to this pin. No power level current should be allowed to flow through the GND pin copper areas on the board. Connect to the thermal pad area, and from there to the PGND copper area.
BP5	10	I	Electrically quiet 5-V supply for the internal circuitry inside the device. If VDD is above 5 V, connect a 20-Ω resistor from PVCC to this pin and a 100-nF capacitor from this pin to GND. For VDD at 5 V, this pin can be tied directly to VDD or through a 20-Ω resistor with a 100-nF decoupling capacitor to reduce internal noise.
UVLO	11	I	UVLO input for the device. A resistor divider from VDD sets the turn on voltage for the device. Below this voltage, the device is in a low quiescent current state. Pulling this pin to ground shuts down the device, and is used as a system shutdown method.
VDD	12	I	Power input for the LDO on the device.
PGND	13	–	Common connection for the power circuits on the device. This pin should be electrically close to the source of the FET connected to LDRV. Connected to GND only at the thermal pad for best results.
LDRV	14	O	Gate drive output for the low-side or rectifier FET.
PVCC	15	O	Output of the on board LDO. This is the power input for the drivers and bootstrap circuit. The 5.3-V output on this pin is used for external circuitry as long as the total current required to drive the gates of the switching FETs and external loads is less than 50 mA. Connect a 1μF capacitor from this pin to GND.
SW	16	O	This pin is connected to the source of the high-side or <i>switch</i> FET and is the return path for the floating high-side driver.
HDRV	17	O	Gate drive output for the high-side FET. High-side FET turn-on time must not be greater than minimum on-time. See electrical characteristics table for the minimum on time of the pulse width modulator.
BOOT	18	I	Bootstrap pin for the high-side driver. A 100-nF capacitor is connected from this pin to SW and provides power to the high-side driver when the high-side FET is turned on.
CLKIO	19	I/O	Clock and phase timing output while the device is configured as a clock master. In clock slave mode, the master CLKIO pin is connected to the slave CLKIO pin to provide time base information to the slave.
PGOOD	20	O	Power good output. This open drain output pulls low when the device is in any state other than in normal regulation. Active soft-start, UVLO, overcurrent, undervoltage, overvoltage or overtemperature warning (115°C junction) causes this output to pull low.

TERMINAL FUNCTIONS (continued)

TERMINAL		I/O	DESCRIPTION
NAME	NO.		
PSEL	21	I	Phase select pin. For a clock master, a resistor from this pin to GND determines the CLKIO output. When configured as a clock slave, a resistor from the pin to GND selects the phase relationship that the slave has with the master. Allowing this pin to float causes the slave to drop off line to shed the phase when current demands are light for improved overall efficiency. See the <i>Application Information</i> section for more details.
CS+	22	I	Positive input to the current sense amplifier.
CS-	23	I	Negative input to the current sense amplifier
COMP	24	O	Output of the error amplifier.

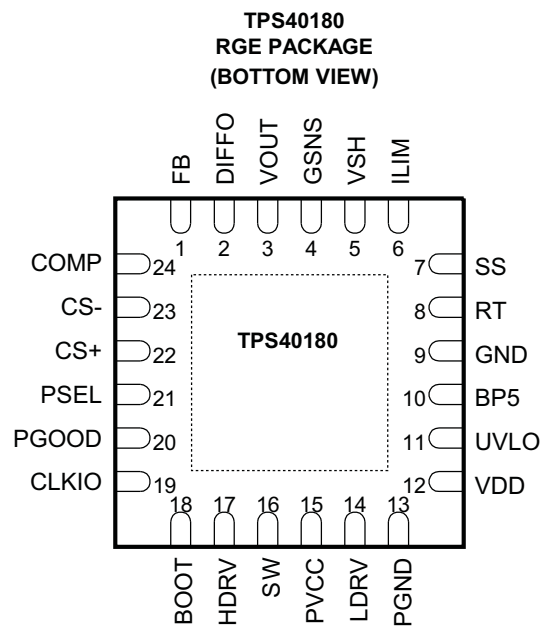


Figure 1. Device Pin Out

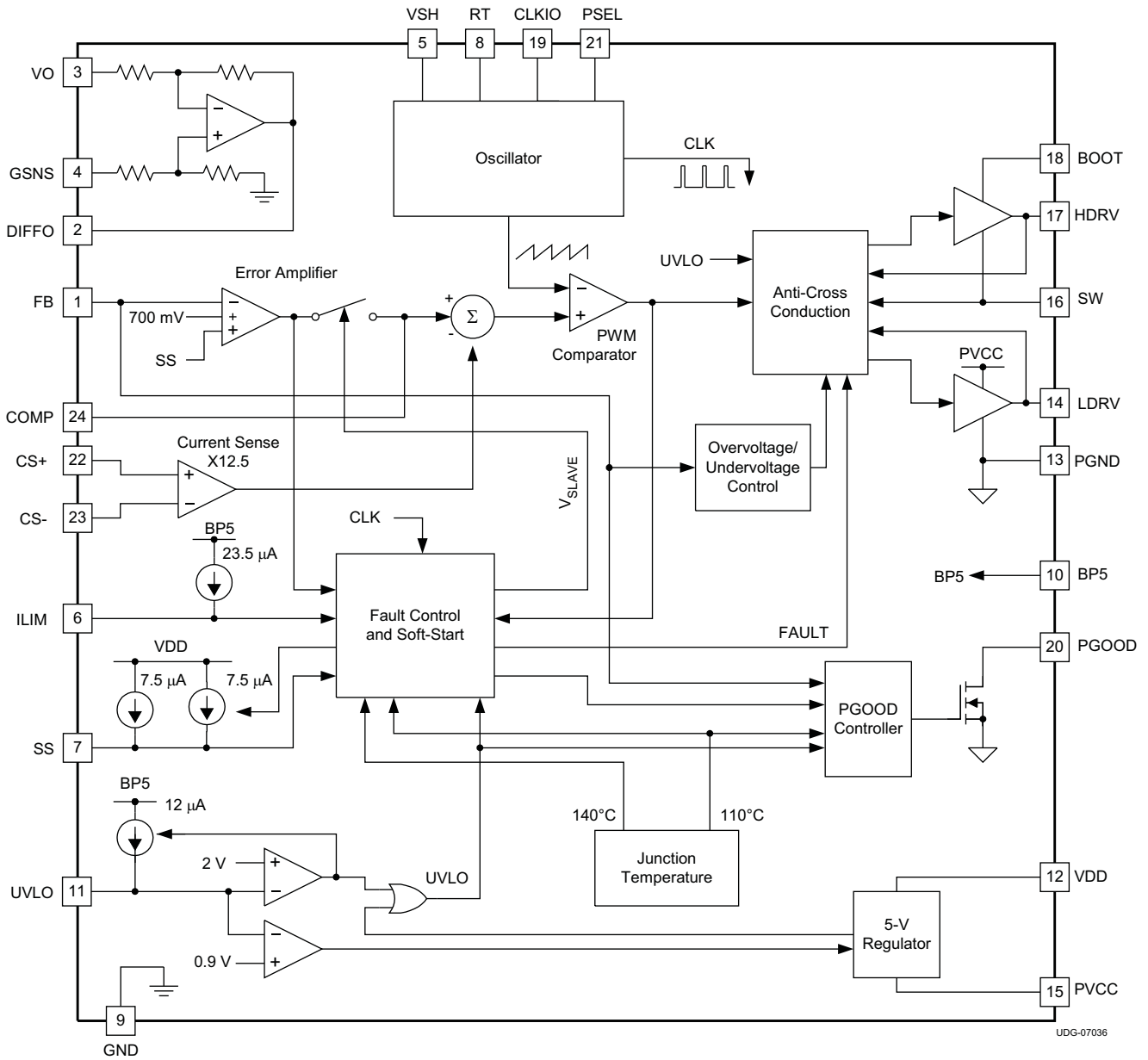


Figure 2. Functional Block Diagram

TYPICAL CHARACTERISTICS

INPUT SHUTDOWN CURRENT
vs
JUNCTION TEMPERATURE

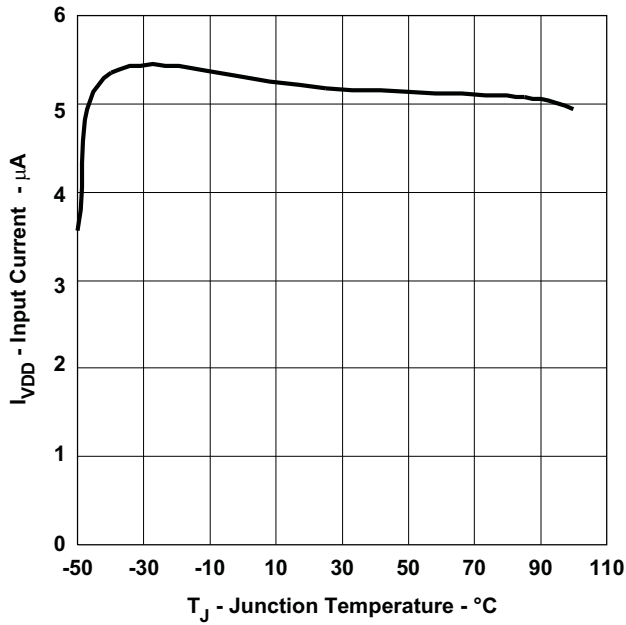


Figure 3.

CURRENT SENSE AMPLIFIER OFFSET VOLTAGE
vs
JUNCTION TEMPERATURE

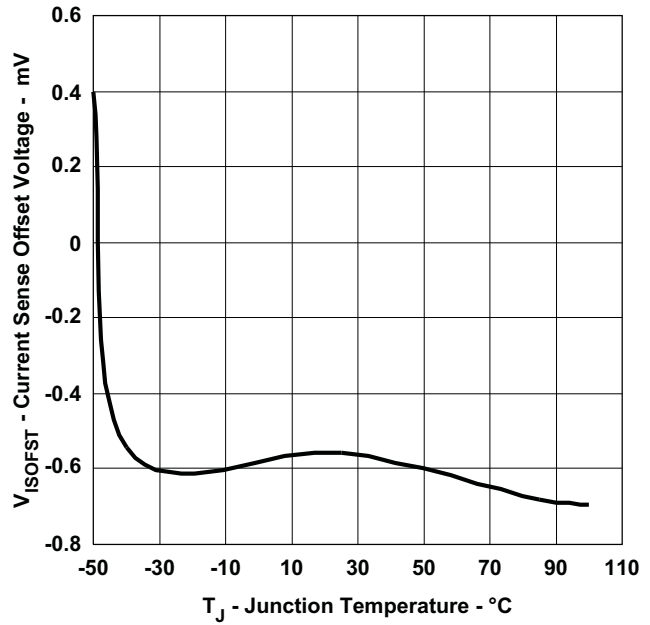


Figure 4.

RELATIVE CURRENT SENSE GAIN
vs
JUNCTION TEMPERATURE

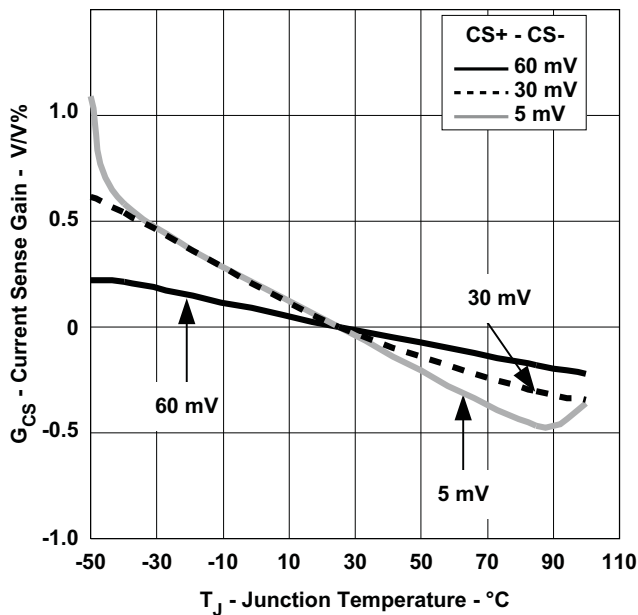


Figure 5.

CURRENT LIMIT
vs
JUNCTION TEMPERATURE

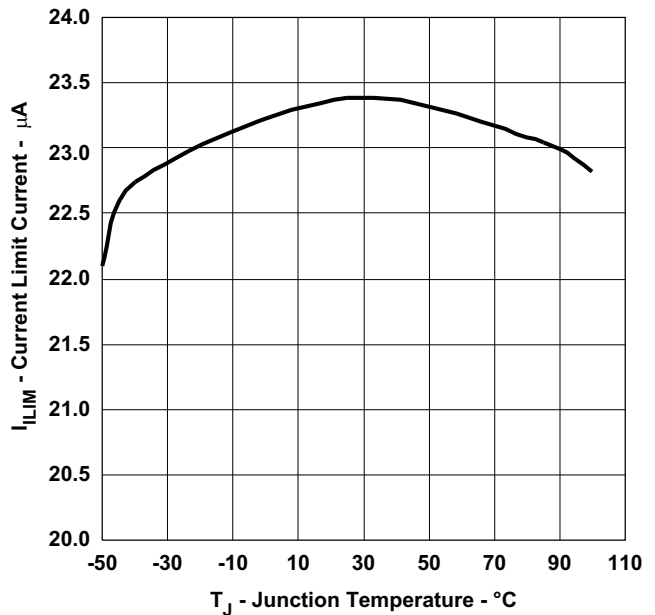


Figure 6.

TYPICAL CHARACTERISTICS (continued)

**UVLO HYSTERESIS
vs
JUNCTION TEMPERATURE**

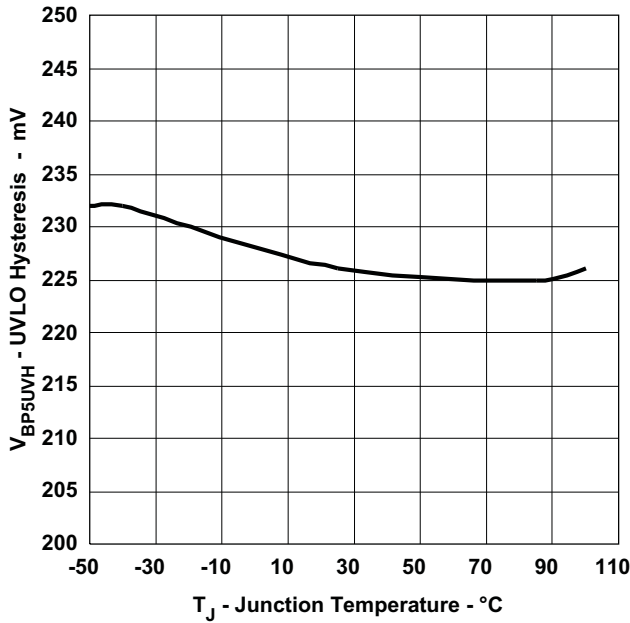


Figure 7.

**CURRENT SHARE RE VOLTAGE
vs
JUNCTION TEMPERATURE**

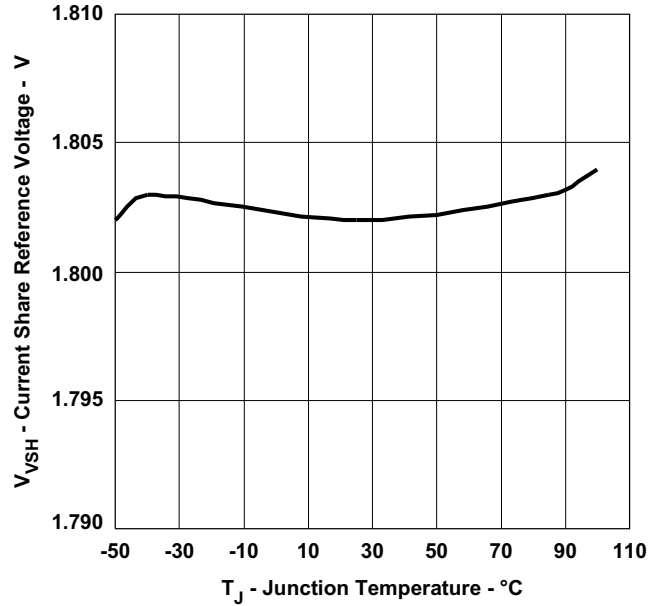


Figure 8.

**SOFTSTART CHARGE CURRENT
vs
JUNCTION TEMPERATURE**

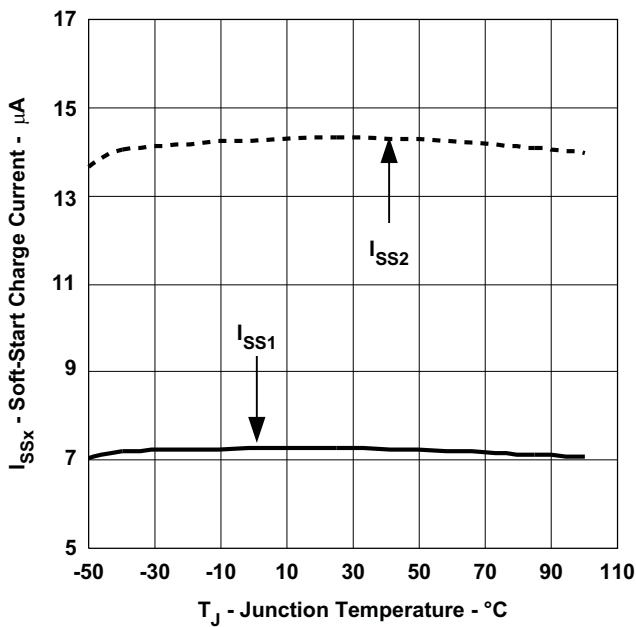


Figure 9.

**REMOTE VOLTAGE SENSE AMPLIFIER
vs
JUNCTION TEMPERATURE**

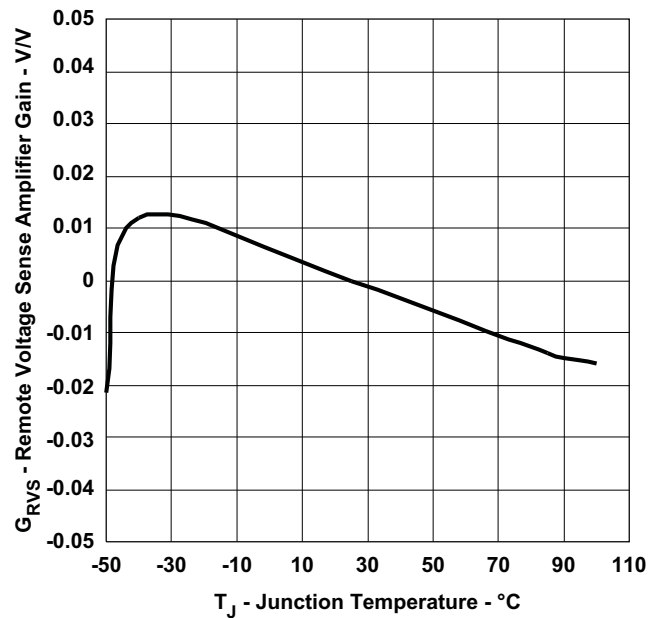


Figure 10.

TYPICAL CHARACTERISTICS (continued)

DRIVER RESISTANCE
vs
JUNCTION TEMPERATURE

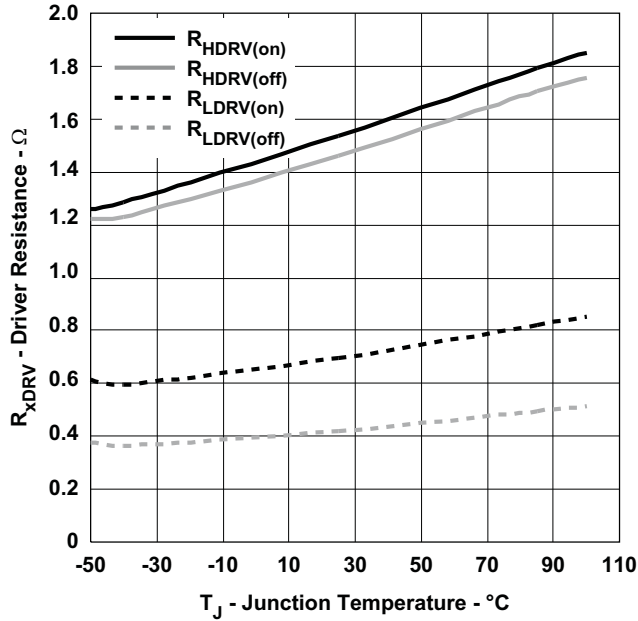


Figure 11.

POWER GOOD THRESHOLD VOLTAGE
vs
JUNCTION TEMPERATURE

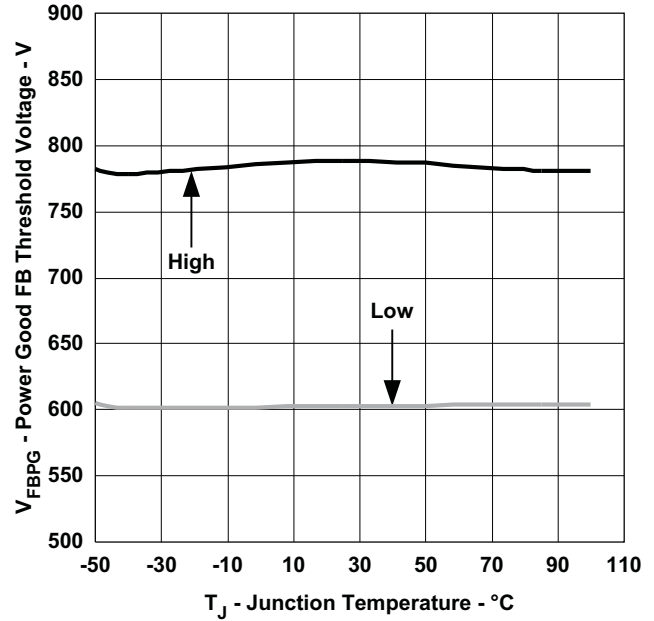


Figure 12.

POWER GOOD LOW THRESHOLD VOLTAGE
vs
JUNCTION TEMPERATURE

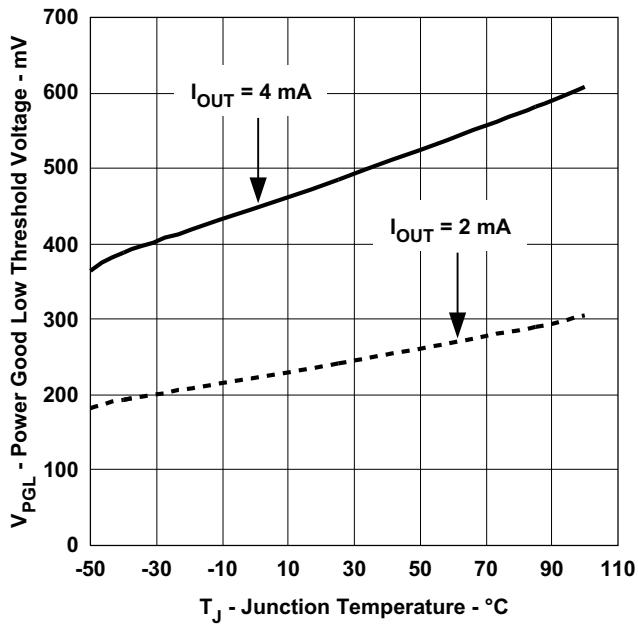


Figure 13.

POWER GOOD FB HYSTERESIS
vs
JUNCTION TEMPERATURE

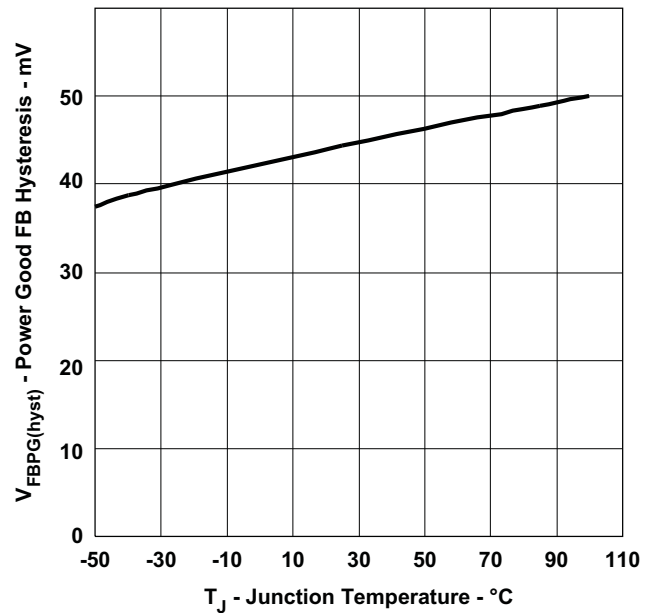


Figure 14.

TYPICAL CHARACTERISTICS (continued)

**UNDERVOLTAGE AND OVERVOLTAGE THRESHOLD
vs
JUNCTION TEMPERATURE**

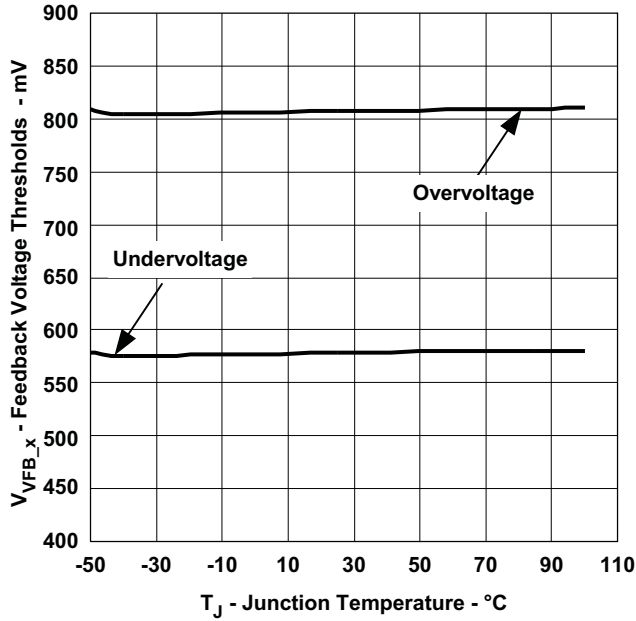


Figure 15.

**UVLO ENABLE THRESHOLD
vs
JUNCTION TEMPERATURE**

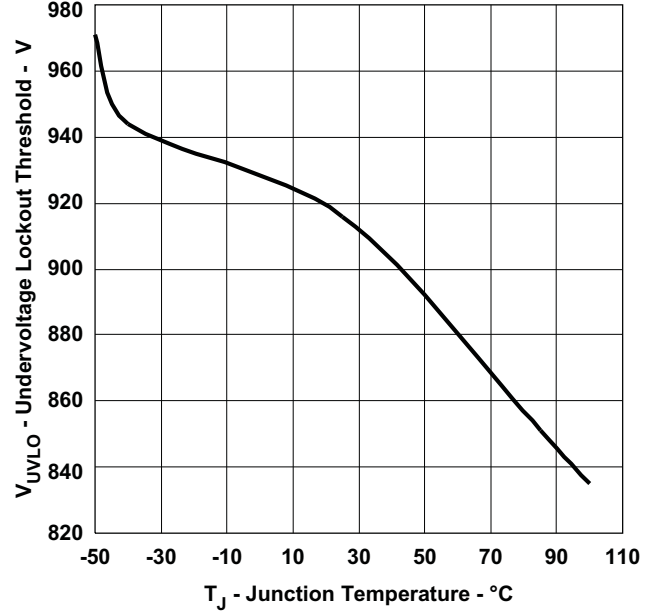


Figure 16.

**UVLO HYSTERESIS CURRENT
vs
JUNCTION TEMPERATURE**

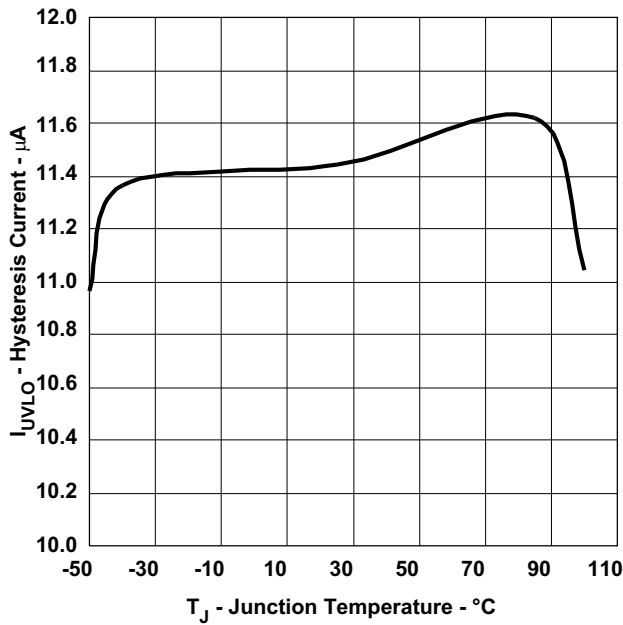


Figure 17.

**UVLO PWM ENABLE THRESHOLD VOLTAGE
vs
JUNCTION TEMPERATURE**

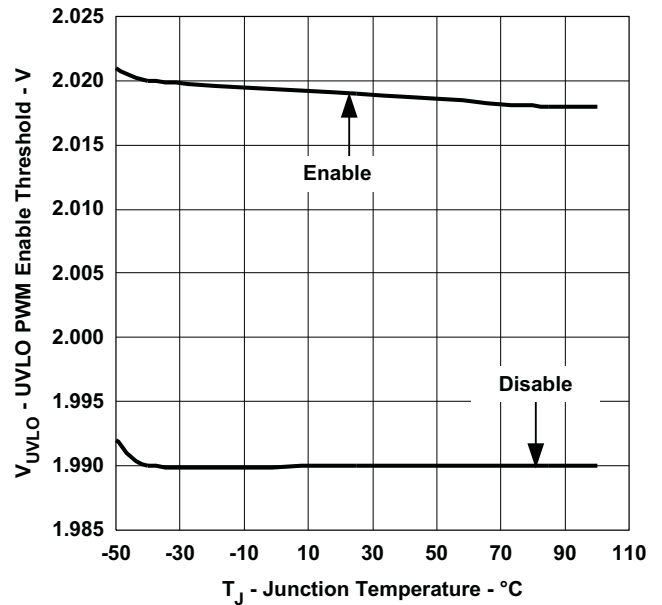


Figure 18.

TYPICAL CHARACTERISTICS (continued)

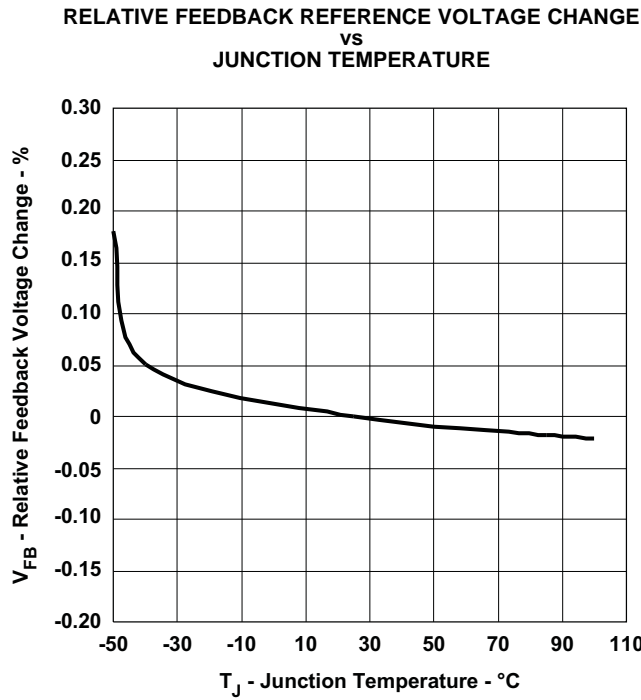


Figure 19.

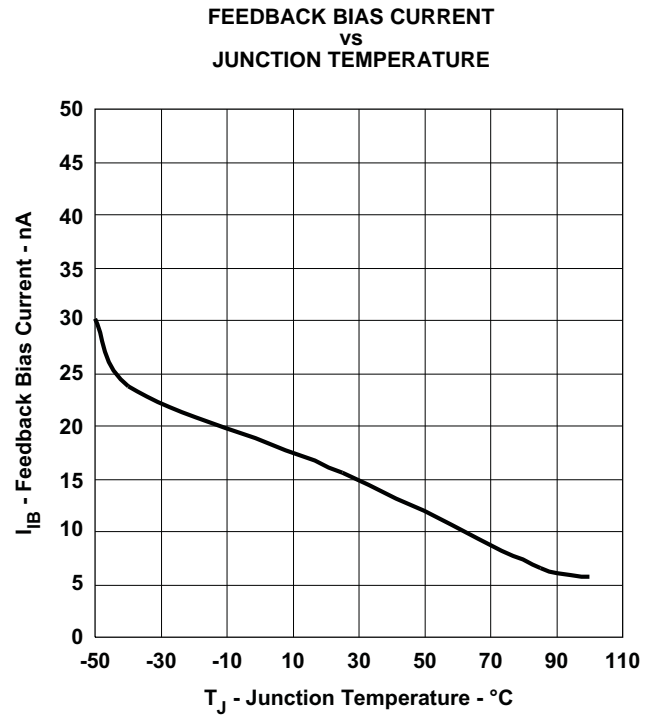


Figure 20.

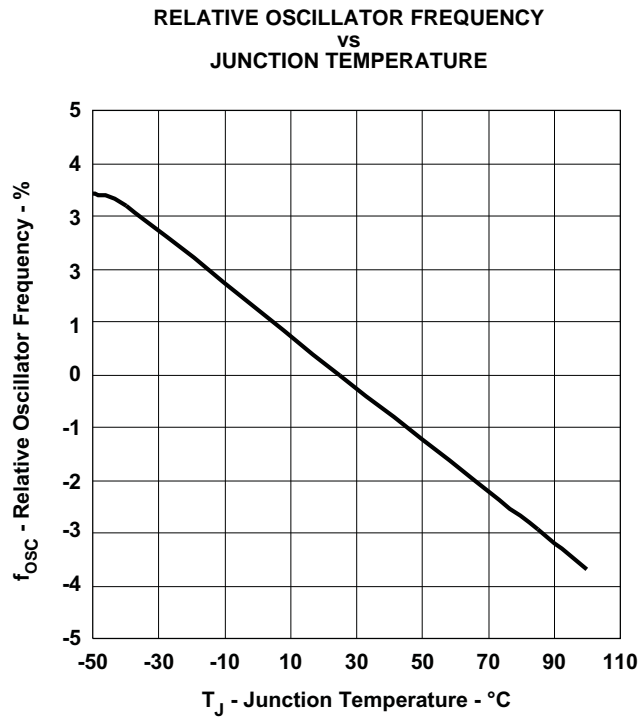


Figure 21.

APPLICATION INFORMATION

Introduction

The TPS40180 is a versatile single-phase controller that can be used as a building block for a more complex power system, or as a stand alone power supply controller. In either system, the TPS40180 provides an excellent power conversion solution and supports such features as pre-bias startup, intelligent fault handling capability with graceful shutdown and restart even with multiple modules sharing a common load. Remote load voltage sense for improved load regulation where it counts, at the load, thermal shutdown, remote enable and power good indication features help solve the problems faced by the power supply designer. To ease application to a specific task, there are several user programmable features including closed loop soft-start time, operating frequency and current limit level.

More complex power solutions are readily supported by the TPS40180. The device can be configured to run in a master/slave configuration where a master can control several slaves. Several options are possible including a single output multiple phase supply sharing phase timing information to reduce input and output ripple, a multiple output supply that shares phase switching timing information to reduce input ripple currents and a combination approach that has multiple outputs sharing phase information where each output can use multiple phases. Phase information in all cases comes from a single device designated the clock master. Current sharing information is passed from the device designated voltage loop master for each output to the slaves for that particular output rail by connecting the COMP pin of the master to the COMP pin of the slaves. The clock master is also the voltage loop master in one of the rails of a multiple output supply; whereas, the other rails are controlled by a voltage loop master that is a clock slave to the single clock master device.

Programming the Operating Frequency

A resistor is connected from the RT pin to GND to select the operating frequency of the converter. The relationship between the desired operating frequency and the timing resistance is given by [Equation 1](#):

$$R_{RT} = \frac{3.675 \times 10^5}{(f_{SW})^2} + \frac{2.824 \times 10^4}{f_{SW}} - 5.355 \quad (1)$$

where

- R_{RT} is the timing resistance in k Ω
- f_{SW} is the desired switching frequency in kHz

If this is a clock master, the switching frequency above is the per-phase switching frequency.

Programming the soft-start Time

The soft-start time is programmable by connecting a capacitor from the SS pin to GND. An internal current source charges this capacitor providing a linear ramp voltage. This ramp voltage is the effective reference to the error amplifier while it is less than the 700-mV internal reference. The time required for the SS pin to ramp from GND to 700 mV is the soft-start time. For outputs that are not pre-biased, that time is given in [Equation 2](#).

$$T_{SS} = \frac{V_{REF} \times C_{SS}}{I_{SS}} \quad (2)$$

where

- t_{SS} is the soft-start time in seconds
- C_{SS} is the capacitor from SS to GND in μ F
- I_{SS} is the soft-start current in μ A, 15- μ A typical

If the output of the converter has a pre-existing voltage on it, the device the soft-start happens a little differently. The SS pin current is held to a lower value than normal until the PWM becomes active. This occurs as the SS pin voltage exceeds the FB pin voltage and the COMP pin moves up into the ramp range, causing the first pulse. At that point, the SS pin current is shifted to 15 μ A nominal. [Figure 22](#) and [Figure 23](#) illustrate this.

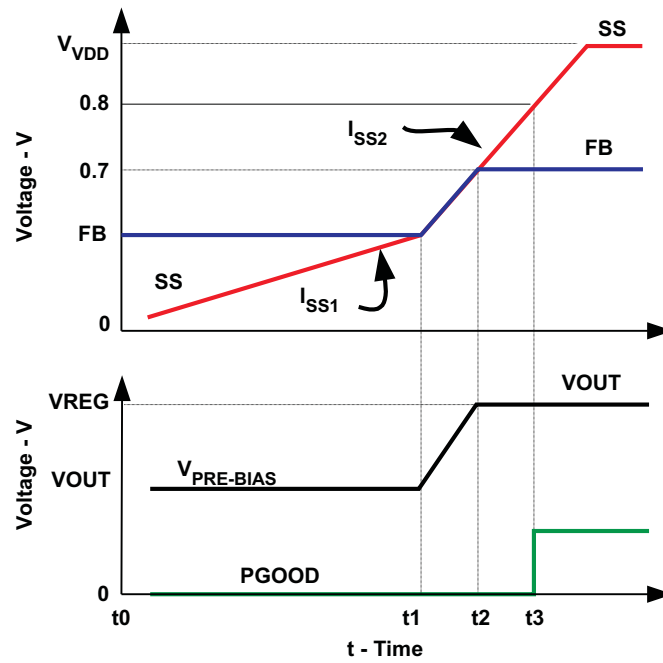


Figure 22. Soft-Start Waveform for Pre-Biased Outputs

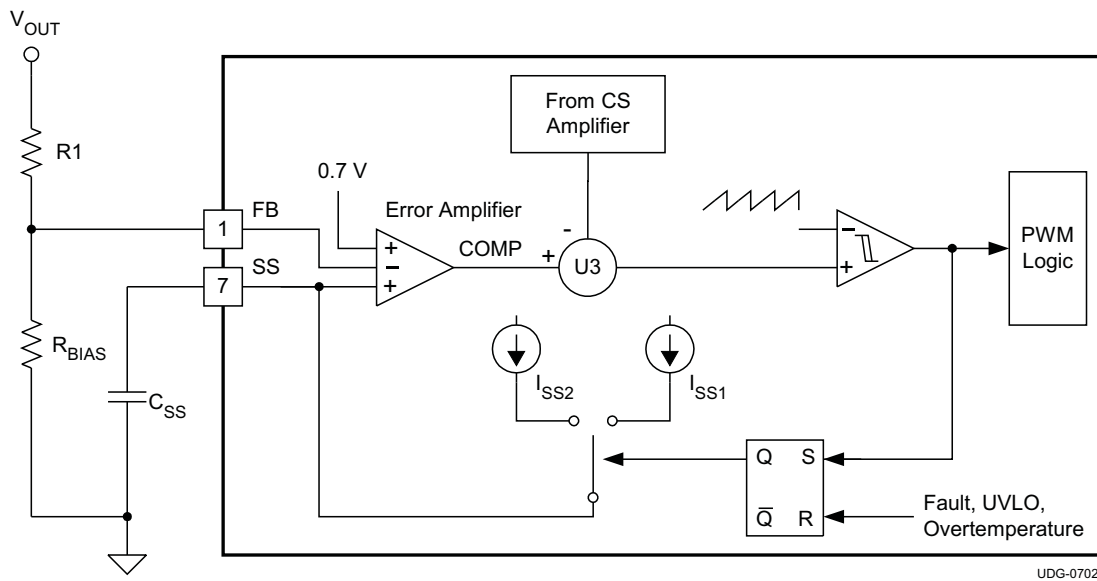


Figure 23. Soft-Start Implementation

Using [Figure 22](#) provides:

$$t_1 = \frac{C_{SS}}{I_{SS1}} \times \left(\frac{V_{PREBIAS} \times R_{BAIS}}{R_1 + R_{BIAS}} \right) \quad (3)$$

$$t_2 = \frac{C_{SS}}{I_{SS2}} \times \left(V_{REF} - \left(\frac{V_{PREBIAS} \times R_{BIAS}}{R_1 + R_{BIAS}} \right) \right) \quad (4)$$

$$T_{SS} = t_1 + t_2 \quad (5)$$

where

- t_1 is the time to the first PWM pulse in seconds
- t_2 is the time from the first PWM pulse until regulation in seconds
- $C_{(SS)}$ is the SS pin capacitor in μF
- $I_{(SS1)}$ is the SS1 pin charging current in μA , 7.5 μA
- $I_{(SS2)}$ is the SS2 pin charging current in μA , 15 μA
- T_{SS} is the total soft-start time

Tracking

The TPS40180 can function in a tracking mode, where the output tracks some other voltage. To do this, a voltage divider is connected from the voltage to be tracked to GND, with the tap of the divider connected to the SS pin of the TPS40180. See Figure 24. The capacitors C1 and C2 are required for two purposes. First they provide a means for timing of overcurrent restart attempts. Second, they provide for matching output voltage ramp up rate of the TPS40180 to the controlling external supply.

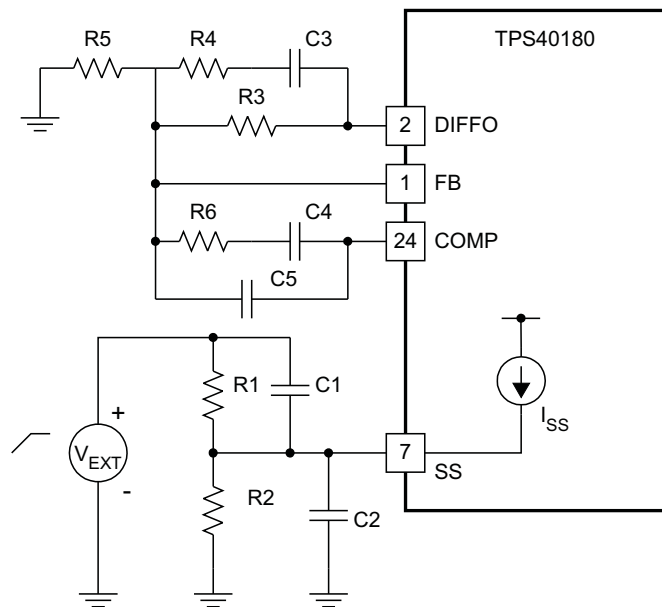


Figure 24. Tracking Setup

When choosing component values, the SS pin current (I_{SS}) must be accounted for in order to prevent an offset in the output of the TPS40180 converter and the tracked supply.

$$R1 = \left(\frac{R3}{R5}\right) \times R2 \times \left(\frac{V_{REF}}{V_{REF} - (I_{SS} \times R2)}\right) \tag{6}$$

where

- R1, R2, R3 and R5 are in Ω
- V_{REF} is the reference voltage of the TPS40180 (700 mV)
- I_{SS} is the SS pin current (15 μ A typical)

To use Equation 6, R3 and R5 must be known from the design of the compensation network and nominal converter output voltage. R2 is then chosen arbitrarily. A value between 1 k Ω and 10 k Ω is suggested. Too large a value and the tracking error is greater. Too small, and the requirements for C2 and C2 become excessive. Once R1 and R2 have been chosen, C1 and C2 can be chosen. The R1-C1 time constant and the R2 C2 time constant should match.

$$R1 \times C1 = R2 \times C2 \tag{7}$$

Absolute matching of the time constants is not necessary for Equation 7. The nearest standard values of capacitor provides satisfactory results. Pick a value for C1 or C2 and find the closest corresponding standard value for the other capacitor.

Current Sensing and Overcurrent Detection

The TPS40180 uses the current sensing architecture shown in Figure 25.

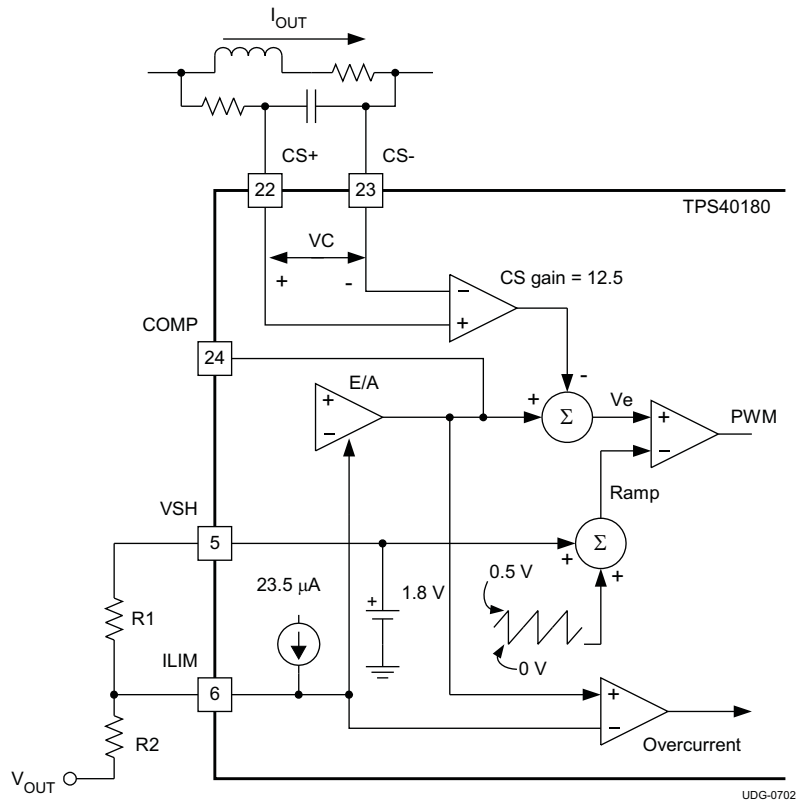


Figure 25. Current Sense Architecture

The sense resistor can either be a resistor between the inductor and the output capacitor(s) or an R-C filter across the inductor.

Overcurrent protection for the TPS40180 is set by connecting a resistor from the ILIM pin to the VSH pin. A current source of 23.5 μ A out of the ILIM pin sets a voltage level on the ILIM pin and the COMP pin is not allowed to rise above this level. Since the device uses current mode control and COMP cannot rise above this level, an effective maximum output current is defined. The second resistor on the ILIM pin, R2, is optional and if used is connected to the output voltage. This resistor provides compensation of the overcurrent level for changes in output voltage, such as would be seen at startup. If not used, the overcurrent threshold level is higher at output voltages lower than the designed target.

The output current, flows through the inductor resistance and develops a voltage, V_C across it, representative of the output current. This resistance voltage is extracted from the total inductor voltage by the R-C network placed across the inductor. This voltage is amplified with a gain of 12.5 and then subtracted from the error amplifier output, COMP, to generate the V_e voltage. The V_e signal is compared to the slope-compensation RAMP signal to generate the PWM signal that is used to control the FET drivers. As the output current is increased, the amplified V_C causes the V_e signal to decrease. In order to maintain the proper duty cycle, the COMP signal must increase. Therefore, the magnitude of the COMP signal contains the output current information as shown in Equation 8 through Equation 10:

$$\text{COMP} = V_e + (I_{PK} \times R_L) \times 12.5 \quad (8)$$

$$I_{\text{RIPPLE}} = \left(\frac{V_{\text{IN}} - V_{\text{OUT}}}{L} \right) \times \left(\frac{V_{\text{OUT}}}{V_{\text{IN}}} \right) \times \left(\frac{1}{f_{\text{SW}}} \right) \quad (9)$$

$$I_{\text{PK}} = \left(\frac{I_{\text{RIPPLE}}}{2} \right) + I_{\text{OUT}} \quad (10)$$

In order to satisfy the input-output voltage relationship, the Equation 11 must hold:

$$V_e = V_{\text{RMP}} \times \frac{V_{\text{OUT}}}{V_{\text{IN}}} + V_{\text{VSH}} \quad (11)$$

Combining Equation 8 and Equation 11 and solving for the COMP voltage gives:

$$\text{COMP} = V_{\text{RMP}} \times \left(\frac{V_{\text{OUT}}}{V_{\text{IN}}} \right) + V_{\text{VSH}} + (I_{\text{PK}} \times R_L) \times 12.5 \quad (12)$$

Since COMP and ILIM are of equal voltage when at the current limit condition, setting ILIM to the expected COMP voltage at maximum current is how the current limit threshold is set. To calculate the resistors R1 and R2 from Figure 25, proceed as follows:

$$\alpha = \left(\frac{V_{\text{RMP}}}{V_{\text{IN}}} \right) \quad (13)$$

$$\beta = R_L \times 12.5 \times I_{\text{PK}} + \left(\frac{V_{\text{RMP}}}{(2 \times N_{\text{ph}})} \right) \quad (14)$$

$$R1 = \frac{\beta + \alpha \times V_{\text{VSH}}}{(1 - \alpha) \times I_{\text{ILIM}}} \quad (15)$$

$$R2 = \frac{\beta + \alpha \times V_{VSH}}{\alpha \times I_{ILIM}} \quad (16)$$

where (for [Equation 8](#) through [Equation 16](#))

- COMP is the voltage on the COMP pin
- V_{RMP} is the ramp amplitude, 500 mV
- V_{OUT} is the output voltage of the converter
- I_{OUT} is the dc output current of the converter
- V_{IN} is the input voltage of the converter
- V_{VSH} is the valley voltage of the ramp, 1.8V
- I_{PK} is the peak current in the inductor
- R_L is the DC resistance of the inductor
- L is the inductance of the inductor
- 12.5 is the gain of the current sense amplifier network inside the device
- N_{ph} is the number of phase that the master clock is set to, either 6 or 8
- I_{ILIM} is the bias current out of the ILIM pin, 23.5 μ A typical

The TPS40180 architecture inherently allows multiple modules to start simultaneously into a load without problems with overcurrent tripping. The reason this is the case is the master device in a group of devices configured as a multiphase power supply is the only device that retains overcurrent control. The slave devices do not have the ability to initiate an overcurrent event but rely on the master to handle this function. For this reason, when setting the overcurrent threshold for a multiple converter system, the above equations should be used to set the threshold on a per-converter basis. For example, if four converters are being used to generate a supply that has a 60A current limit, the current limit to use for calculating the resistors would be 15 A.

NOTE:

The above equations indicate that the overcurrent threshold is dependent on input voltage. Consequently, as the input voltage increases, the overcurrent threshold also rises.

Hiccup Fault Recovery

To reduce the input current and component dissipation during an overcurrent event, a hiccup mode is implemented. Hiccup mode refers to a sequence of 7 soft-start cycles where no MOSFET switching occurs, and then a re-start is attempted. If the fault has cleared, the re-start results in returning to normal operation and regulation. This is shown in Figure 26.

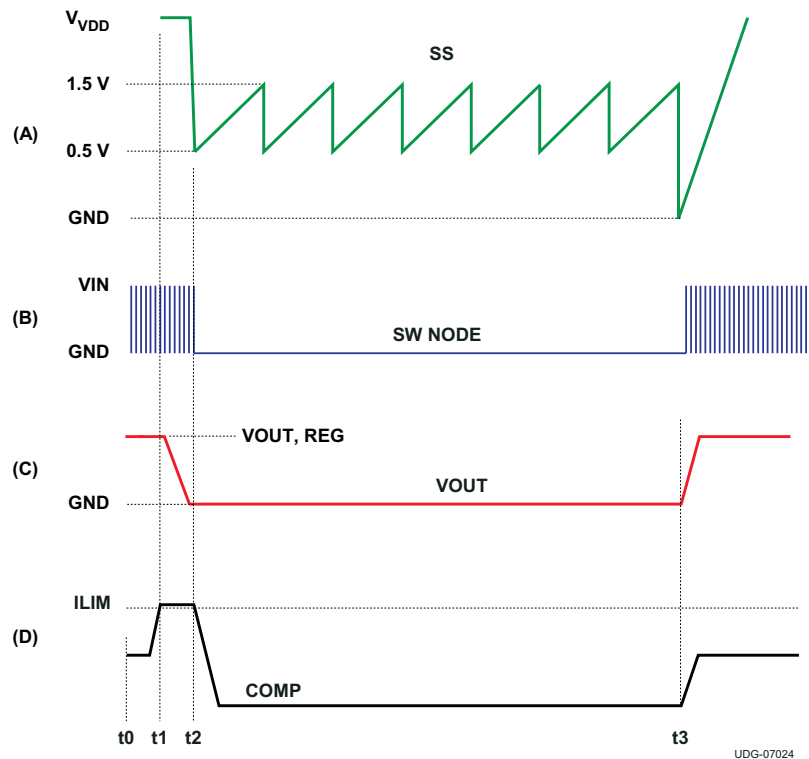


Figure 26. Hiccup Recovery From Faults

Normal operation is occurring between t_0 and t_1 as shown by V_{OUT} at the regulated voltage, (C) and normal switching on the SW NODE (B) and COMP at its nominal level, (D). At t_1 , an overcurrent load is experienced. The increased current forces COMP to increase to the ILIM level as shown in (D). If the COMP voltage is above the ILIM voltage for 7 switching cycles, the controller enters a hiccup mode at t_2 . During this time the controller is not switching and the power MOSFETs are turned off. The SS pin goes through 7 cycles of charging and discharging the soft-start capacitor. At the end of the 7 cycles the controller attempts another normal re-start. If the fault has been cleared, the output voltage comes up to the regulation level as shown at time t_3 . If the fault has not cleared, the COMP voltage again rises above the ILIM voltage and a fresh hiccup cycle starts. This condition may continue indefinitely.

The pre-bias circuitry is reset at this time and the restart does not discharge an output pre-bias condition if it exists.

Selecting Current Sense Network components

Some consideration must be given to selecting the components that are used to sense current in the converter. If an R-C filter across the inductor is used, the R-C time constant should match the natural time constant of the inductor. Equation 17 and Figure 27 describe the relationship.

$$R_{CS} \times C_{CS} = \left(\frac{L}{R_L} \right) \tag{17}$$

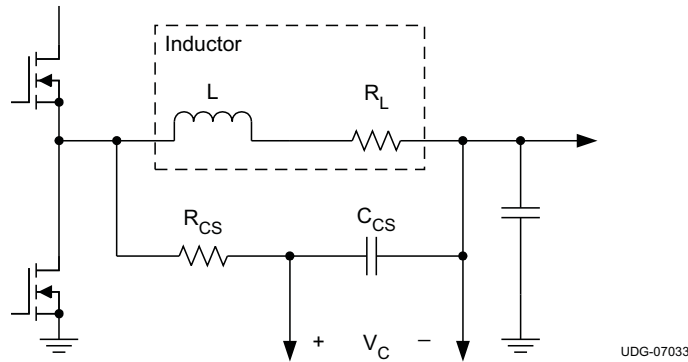


Figure 27. Current Sense Network

The amplitude of the V_C voltage must also be considered. If the V_C voltage is expected to rise above 60 mV at the desired overcurrent threshold, an attenuator should be used to keep the voltage to a maximum of 60 mV. To implement the divider, place a resistor in parallel with C_{CS} . The time constant of the whole network should remain the same as the L/R time constant of the inductor.

High ripple current applications can also cause problems under certain conditions. When the sensing network is matched to the inductor, the ripple voltage on the capacitor C_{CS} is the same as the ripple voltage produced on the effective inductor resistance. If this ripple component is too great, sub-harmonic instability can result and the PWM exhibits excessive jitter or give a long pulse, short pulse type of output. To minimize this effect, the slope of the signal presented to the current sense amplifier must be less than a maximum value. This places a minimum limit on what the inductor L/R time constant can be for a given application as shown in Equation 18. If the chosen inductor and other application parameters fall outside these recommendations, it is necessary to attenuate the current feedback signal with an extra resistor.

$$\left(\frac{L}{R_L} \right) > \frac{G_{CS(max)} \times (V_{IN} + (2 \times V_{OUT}))}{f_{SW}} \tag{18}$$

where

- L is the inductance in H
- R_L is the equivalent series resistance of the inductor in Ω
- $G_{CS(max)}$ is the maximum gain of the current sense amplifier, 13.75
- V_{IN} is the input voltage in V
- V_{OUT} is the output voltage in V
- f_{SW} is the switching frequency in Hz

PGOOD Functionality

PGOOD functions as a normal open drain power good output on an device configured as a master. This is an open drain signal and pulls low when any condition exists that would indicate that the output of the supply might be out of regulation. These conditions include:

- FB pin more that $\pm 15\%$ from nominal
- soft-start is active
- A UVLO condition exists for the TPS40180
- The TPS40180 has detected a short circuit condition
- The TPS40180 die is over warning temperature threshold (115°C)

If the device is configured as a voltage loop slave, PGOOD pulls low the following conditions only:

- A UVLO condition exists for the TPS40180
- The TPS40180 die is over warning temperature threshold (115°C)

Note that when there is no power to the device, PGOOD is not able to pull close to GND if an auxiliary supply is used for the power good indication.

Output Overvoltage and Undervoltage Protection

If the output voltage is sensed to be too low, the TPS40180 turns off the power FETs, and initiate a hiccup restart sequence just as if a fault condition had occurred. The sensing of the output voltage is done using the FB pin and the undervoltage threshold voltage for the FB pin is 580-mV typical. The pre-bias circuitry is reset at this time and the restart does not discharge an output pre-bias condition if it exists.

The TPS40180 also includes an output overvoltage protection mechanism. This mechanism is designed to turn on the low-side FET when the FB pin voltages exceeds the overvoltage protection threshold of 810-mV (typical). The high side FET turns off and the low-side FET turns on and stays on until the voltage on the FB drops below the undervoltage threshold. At this point, the controller enters a hiccup recovery cycle as in the undervoltage case. The output overvoltage protection scheme is active at all times. If at any time when the controller is enabled, the FB pin voltage exceeds the overvoltage threshold, the low-side FET turns on until the FB pin voltage falls below the undervoltage threshold.

Overtemperature Protection

When the TPS40180 die temperature exceeds 115°C, the PG pin is pulled low as a warning that temperatures are becoming excessive. Systems can act on this indication as appropriate.

The TPS40180 shuts down if the die temperature is sensed to be more than 135°C. The die must cool to less than the warning level reset of 105°C before the device restarts. The device restarts automatically after the die cools to this level.

eTRIM™

The TPS40180 incorporates an innovative new feature that allows the user to trim the reference voltage in system. This allows the user to tighten overall output tolerances by trimming out errors caused by resistor divider and other system tolerances. The reference has been designed so that it may be trimmed without affecting temperature drift so that the user can perform system level trims without worrying about creating a situation where the reference temperature drift becomes a problem. Trimming in the TPS40180 is done with a small bank of EEPROM. Changing bit values in this EEPROM causes parameters, like reference voltage, inside the device to change. Once trim is accomplished, there is no need to trim again, the change is permanent (but can be overwritten by subsequent trimming operations). The eTrim™ trimming mechanism has been designed so that the user can only program the reference voltage so that any errors in the programming sequence does not affect other factory set trims such as current feedback gain for example. This provides a secure environment for the user to use and eliminates the possibility that other parameters could inadvertently changed.

The adjustment range is ± 14 mV from the untrimmed level. The reference is pre-trimmed at the factory to $\pm 0.5\%$

of nominal so further trim is not necessary unless it is desired to further reduce total system errors. This factory trim uses the same eTrim™ mechanism that can be used at the system or converter level and changes the same bits that the user changes if using eTrim™. Consequently, not all of the trim range may be available to make adjustments in system as the factory trim sets the bits to the value that provides the correct nominal reference voltage. Typically, the trim has at least 3 steps remaining in any direction to allow for user system level trim.

There are several steps required to use the eTrim™ feature. A typical trim sequence would flow as follows:

1. Power up the system and wait for the system to stabilize in steady state
2. Program the TPS40180 reference trim to a default setting (overwriting factory trim)
3. Measure the system output voltage
4. Calculate a correction factor to be applied to the output voltage
5. Program the EEPROM inside the TPS40180 with the new trim code
6. Measure the new system output voltage
7. Repeat from step 4 if required

The TPS40180 provides 4 trim bits available for user programming. The bits and their effect on the untrimmed reference value are given in [Table 1](#).

Table 1. eTrim Bit Codes and Effect

eTrim™ REFERENCE BIT CODE				REFERENCE CHANGE (mV)
b3	b2	b1	b0	
1	0	0	0	+14
1	0	0	1	+12
1	0	1	0	+10
1	0	1	1	+8
1	1	0	0	+6
1	1	0	1	+4
1	1	1	0	+2
1	1	1	1	0 ⁽¹⁾
0	0	0	0	0
0	0	0	1	-2
0	0	1	0	-4
0	0	1	1	-6
0	1	0	0	-8
0	1	0	1	-10
0	1	1	0	-12
0	1	1	1	-14

(1) Default setting

The process of writing to the on chip trim EEPROM is as follows. With power applied to the system and the system in steady state:

1. Force the input voltage to the device, V_{VDD} , to a level of 7 V (this eases stresses on the UVLO pin).
2. Raise the UVLO pin to a level 2 V above V_{VDD} and PGOOD to 20 V
3. Apply a pulse of $V_{VDD} + 4V$ for a minimum of 10 μs to UVLO
4. Bring UVLO to $V_{VDD} + 2 V$ for at least 8 μs
5. The UVLO pin is then pulsed to $V_{VDD} + 4 V$ seven times (six address bits and one data bit) for each bit that is to be written. The pulse period is typically 1 μs and the width of the pulse determines whether the pulse is interpreted as a 1 or as a 0 by the EEPROM circuitry.
6. Data has been placed in a buffer. To finalize the writing, pull PGOOD to 20 V and the UVLO pin to $V_{VDD} + 4 V$ for at least 15 ms.

Figure 28 shows a typical sequence.

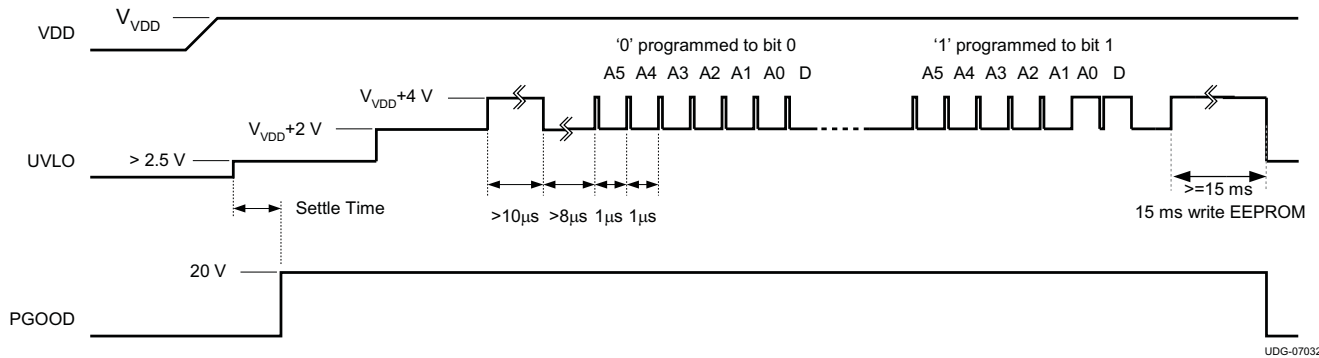


Figure 28. eTrim™ EEPROM Programming Sequence

The pulses from $V_{VDD} + 2V$ to $V_{VDD} + 4V$ on UVLO are governed by the timing shown in Figure 29.

Note that there are six address bits in the sequence to write to a single EEPROM bit. To write to the eTrim™ accessible bits, the address sequence must be correct for all six bits or else the write attempt has no effect. To write to eTrim™ accessible bits the first four address bits must be zero. Anything else is not accepted. Address bits A1 and A0 select which eTrim™ accessible EEPROM bit is written. For example, to write a 1 to bit 3 of the eTrim™ accessible bits, the data pulse sequence would look like Figure 30.

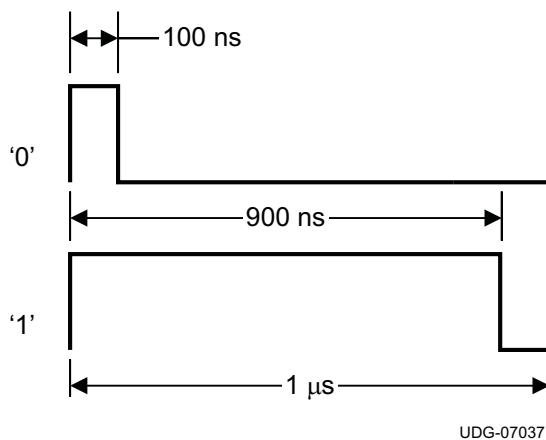


Figure 29. eTrim™ Bit Pulse Timing

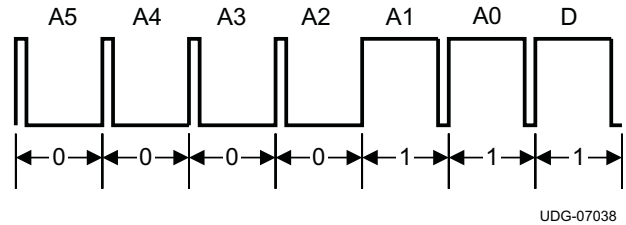


Figure 30. Write 1 to Bit 3

As data is clocked into the device, the reference voltage reflects the updates without writing the data buffer to the actual EEPROM. System measurements can be made after a suitable system dependent settling time has elapsed after changing the bits in the buffer. When satisfied with the results, the EEPROM may be written by pulling PGOOD to 20V and UVLO to $V_{(VDD)} + 4V$ for at least 15 ms. For best reliability, the EEPROM should only be written to by pulling PGOOD to 20V and UVLO to $V_{(VDD)} + 4V$ a maximum of three times during the product lifetime. This writing only needs to be done once during the entire trimming cycle, after the optimal trim values are found since data clocked in will affect the output without performing the actual write. Until written, changes are not permanent and will be lost after power cycling the device.

Using the Device for Clock Master/Slave Operation

The TPS40180 can be operated as either a master clock source or a slave to a master clock.

Table 2. RT Voltage and Clock Master/Slave

RT VOLTAGE (V_{RT}) (V)	CLOCK MODE
< 0.5	Master (or single converter)
> 2 (tied to PVCC or VDD)	Slave

In the clock master mode, the master clock frequency is set by connecting a resistor from the RT pin to GND. In the clock master mode, the PSEL pin selects the CLKIO operating mode for the device. There are three possible states defined in [Table 3](#).

Table 3. PSEL Pin Modes for Clock Master

PSEL RESISTANCE to GND (k Ω)	MODE
0	No CLKIO. CLKIO does not send out pulses.
OPEN	8 phase CLKIO. CLKIO send out a pulse train for interleaving with 45° phase separation
29.4	6 phase CLKIO. CLKIO send out a pulse train for interleaving with 60° phase separation

In the clock slave mode, the CLKIO pin is an input. The controller fires in a fixed relationship to the master determined by the resistance placed from PSEL to GND, or is turned off to improve efficiency at light load. The actual result depends on how the master CLKIO is programmed.

Table 4. PSEL Phase Programming for Slave With 8 Phase Master Clock

PHASE ANGLE (°)	PSEL RESISTANCE to GND (k Ω)
Standby	OPEN
45	0
90	14.7
135	29.4
180	47
225	68
270	95.3
315	127

Table 5. PSEL Phase Programming for Slave With 6 Phase Master Clock

PHASE ANGLE (°)	PSEL RESISTANCE to GND (k Ω)
Standby	OPEN
0	95.3
60	0
120	14.7
180	29.4
240	47
300	68

When a slave senses any level change on the PSEL pin that would indicate a change in firing angle, it momentarily goes into standby mode. When a slave leaves standby mode, it starts supplying current after 64 clock cycles have elapsed if the status of the PSEL pin has not changed from when the device entered standby mode. In this way, a slave can have its firing angle dynamically changed depending on operating conditions. A slave can be held in standby mode by allowing the PSEL pin to float.

Using the TPS40180 for Voltage Control Loop Master or Slave Operation

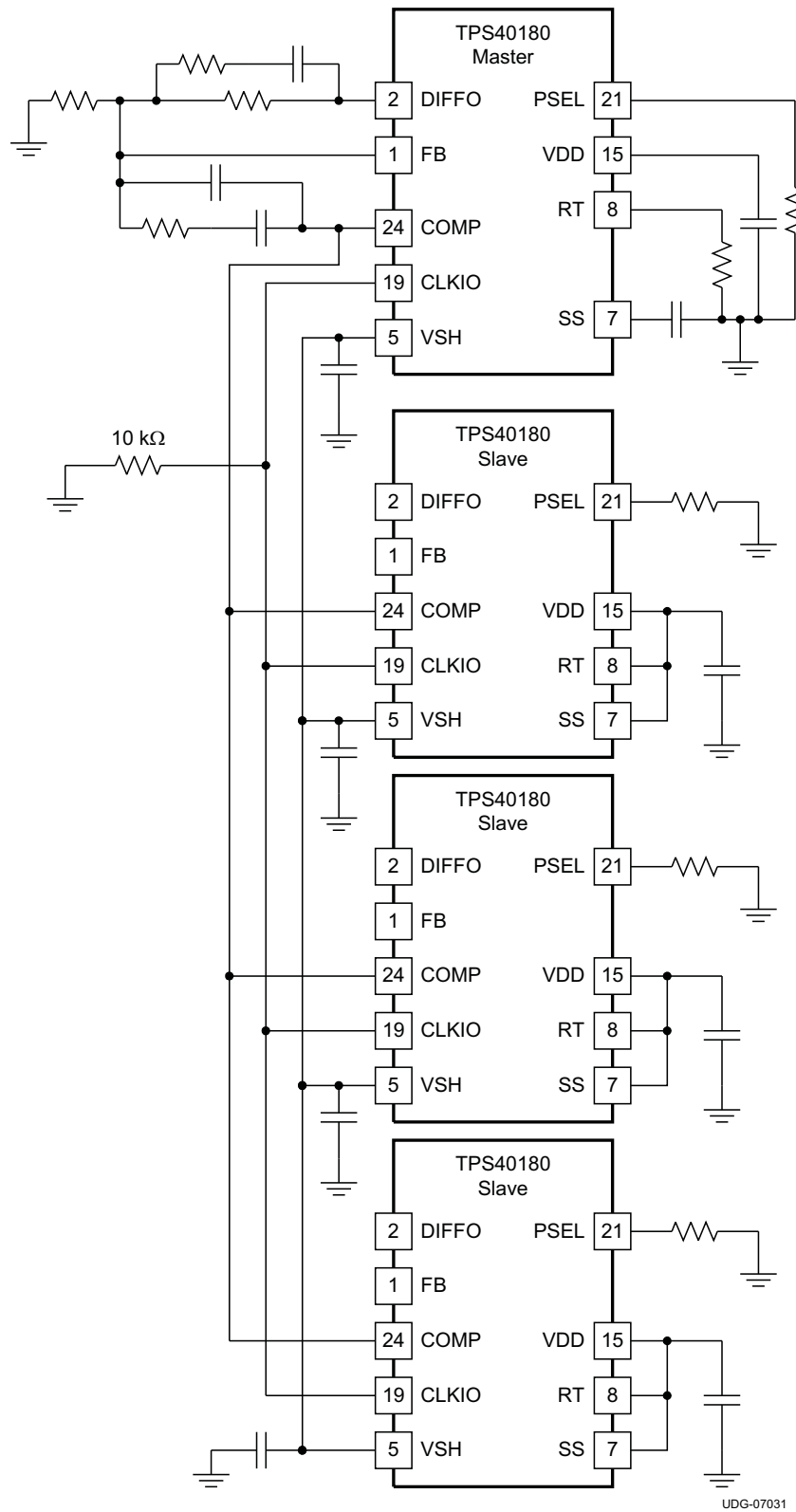
The TPS40180 can function as a voltage loop master or as a voltage loop slave. As a voltage loop master, the TPS40180 behaves like a standard control device in that it regulates its output using its internal error amplifier and reference. As a voltage loop slave, the TPS40180 takes the VSH and COMP signals from a voltage loop master and the slave converter becomes an output current booster to the master converter. Current is shared between the master and slave since both the current command reference (VSH) and the current command (COMP) are being distributed from the master controller and used by the slave to set its output current. The error amplifier in the master is responsible for overall voltage regulation. The error amplifier on the slave is disconnected when configured as a voltage control loop slave.

To configure a TPS40180 as a voltage loop slave, connect the SS pin to VDD or PVCC. It is important that the SS pin not fall more than 1 V below the PVCC voltage when starting up as a slave. If this condition is not met, the controller may not start. For this reason, it is not recommended to tie SS to BP5 to configure the converter as a voltage control loop slave.

Connections Between Controllers for Stacking

One of the main benefits of using the TPS40180 is the ability to parallel output power stages to achieve higher output currents and to scale or stack on controllers as needed. Phasing information is also shared among the controllers to minimize input ripple and RMS current in the input stage capacitors. [Figure 31](#) shows the connections among the controller devices and the controller configuration connections to implement a single output stacked configuration. Up to 7 slave controllers can be connected to the master controller in this manner with unique phasing for each controller. More than 7 controllers can also be connected as long as some of them are programmed to operate at the same phase relationship with respect to the master. Not shown are the power stage portions of the schematics. The outputs of the individual converters inductors are simply connected together and then to a common output capacitor bank. All other connections would be as for a single device used as a converter.

In [Figure 31](#), the master controller is configured as a CLK master and as a voltage control loop master (SS and RT pin connections). The slave controllers are configured as CLK slaves (RT pin tied to PVCC) and as voltage control loop slaves (SS pin tied to PVCC).



UDG-07031

Figure 31. Single Output Stacked Configuration

The 10-k Ω resistor connected from the CLKIO line to GND is required to ensure that the CLKIO line falls to GND quickly when the master device is shutdown or powers off. The master CLKIO pin goes to a high impedance state at these times and if the CLKIO line was high, there is no other active discharge part. The slave controllers look at the CLKIO line to determine if the system is supposed to be running or not. A level below 0.5V on CLKIO is required for this purpose. If the CLKIO line remains high after that master is shut down, the slaves continue to operate. This is seen as the slave LDRV signal remaining high for a period of time after the master is shut down and results in output voltage excursions that are not controlled.

NOTE:

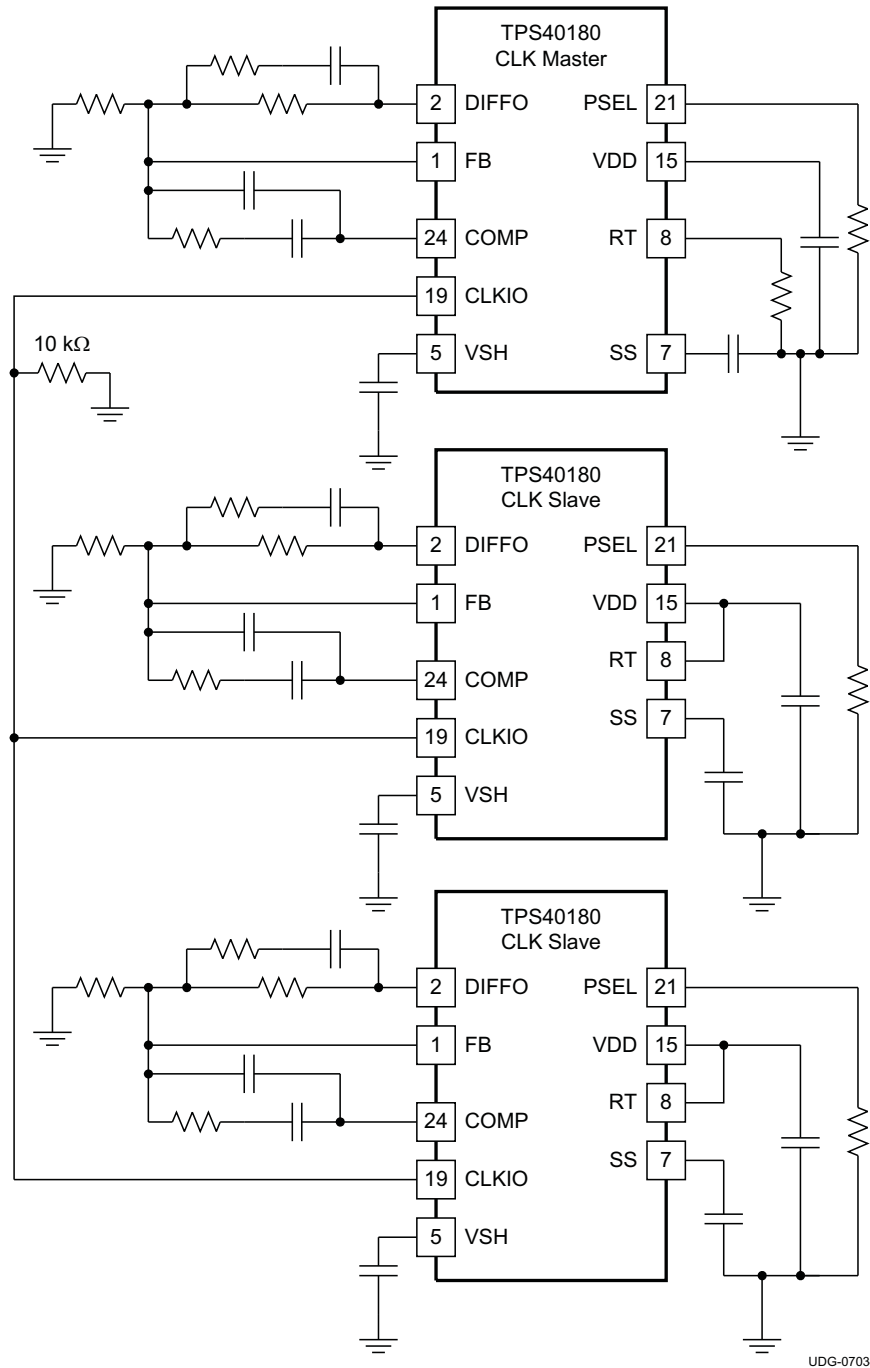
In any system configured to have a CLK master and CLK slaves, a 10-k Ω resistor connected from CLKIO to GND is required.

For simplicity of design, the compensation components shown on the master, as well as the components connected to the RT and SS pins may be present on the slaves. This prevents separate designs being necessary for master and slave circuits. The RT and SS pins can have jumper option to tie them to VDD to program an individual device as a slave. These components were omitted in [Figure 31](#).

Selection of the PSEL pin resistors is simple. First determine if the master should generate a CLK signal that is suitable for 60 or 45 spacing of the phases. Select the appropriate PSEL connection option from [Table 3](#). For the slaves, determine the desired firing angle for each one and pick the appropriate resistor from either [Table 4](#) or [Table 5](#) depending on the clock scheme chosen for the master.

Design Note: When used in a master/slave relationship and an overvoltage event occurs, only the control loop master turns on the low-side FET to pull down the output voltage. This results in the master phase low-side FET sinking all of the combined maximum current for the slaves. For example, if the per phase current limit is 10 A and there are 4 phases, the master low-side FET could be required to pass 30 A for a brief time. The master error amplifier is still active during this time and tries to have the slaves regulate the output voltage. As the master COMP pin rises to the ILIM point, a fault event is sensed and the converter shuts down, and then initiate a hiccup restart. Size the master low-side FET to handle the appropriate amount of surge current for 7 clock cycles of the converter.

A connection diagram for several controllers sharing phase information and synchronized to each other but having different output voltages is shown in Figure 32. This is similar to the previous example but here the controllers are all control loop masters (SS not pulled to VDD) and control their own output voltages independently. One device is configured as a CLK master (RT not tied to VDD) and is the clock generator for the CLK slaves. Picking the PSEL resistors is the same as before. overcurrent in this configuration depends on which controller senses the overcurrent event. If one of the CLK slaves experiences a fault, that converter only shuts down, and enter the hiccup restart mode. If the CLK master controller senses an overcurrent, it stops sending CLKIO pulses to the slaves, causing them to stop. The master then enters a hiccup recovery mode.



UDG-07034

Figure 32. Phase Share Multiple Output Configuration

Finally, a configuration diagram for multiple multiphase converters is shown in [Figure 33](#). This is just a combination of the two previous examples and should follow intuitively once those are understood. It is the example of [Figure 31](#) with a CLK slave but control loop master added to create a second output voltage while sharing phasing information with the first converter group. A slave has been added to the second control loop master controller in this case as well creating a grouping of controllers that provide a second output voltage. This can have a significant impact on the required input filter capacitance if all the converters are located close to one another.

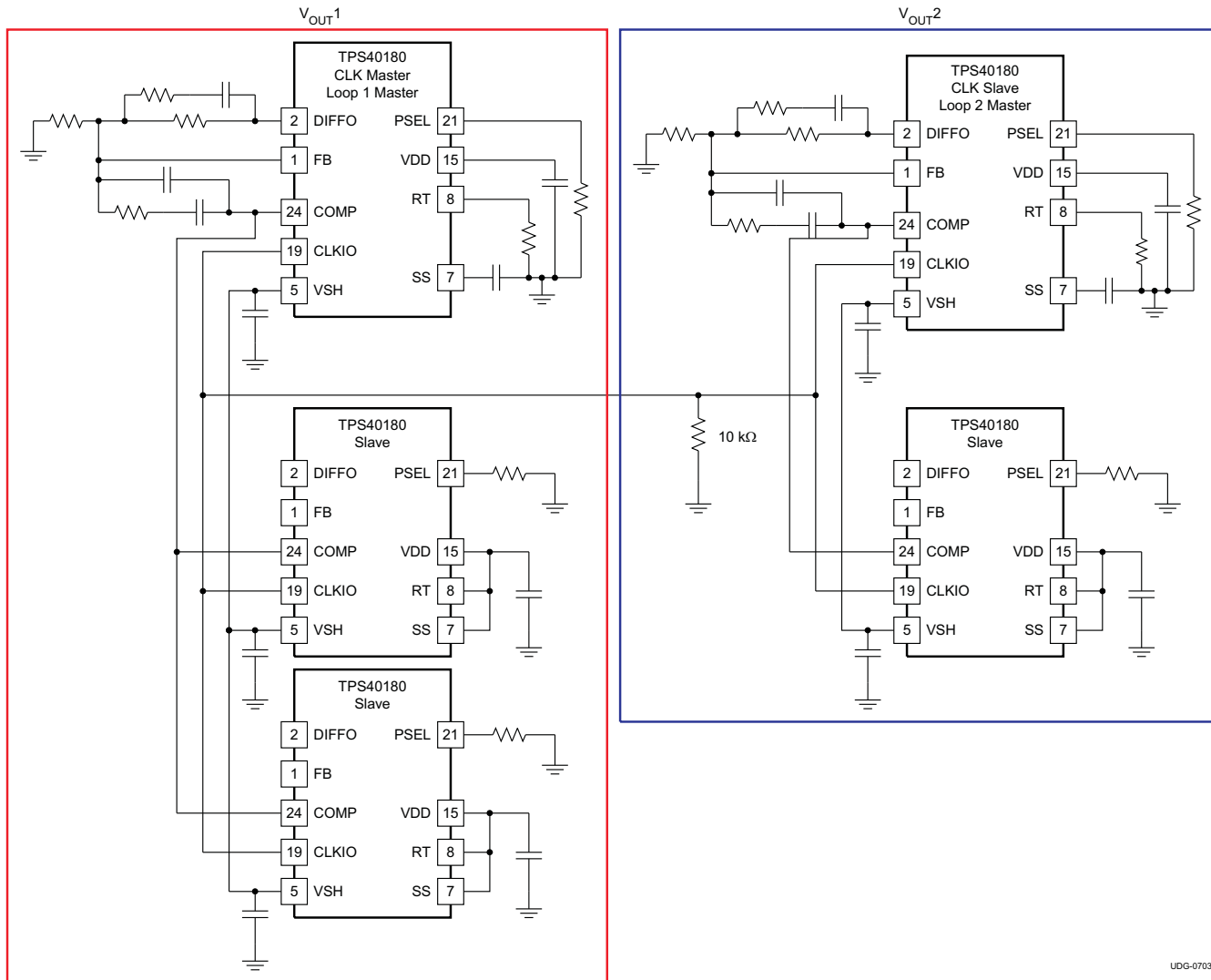


Figure 33. Multiple Multiphase Configuration

VSH Line in the Multiphase

The examples in [Figure 31](#) through [Figure 33](#) show the VSH line distributed among the various controllers comprising a single output voltage grouping. This is the recommended practice for best results. However, if the ground potential difference between the controllers is not great (no more that 10 mV), distribution of VSH among the controllers in a particular output voltage group may not be necessary. VSH is the valley voltage of the controller and distributing it provides a known current reference signal among the controllers that when compared with the distributed COMP signal from the master, serves to better balance the current among the modules. If the ground potential between modules in the same output voltage grouping is small enough, there error contributed by not distributing the VSH signal becomes on the order of systematic errors already present and its usefulness is diminished. A decision must be made on an individual application basis.

LAYOUT CONSIDERATIONS

Power Stage

A synchronous BUCK power stage has two primary current loops. One is the input current loop which carries high AC discontinuous current and the other is the output current loop carrying a high DC continuous current.

The input current loop includes the input capacitors, the main switching MOSFET, the inductor, the output capacitors and the ground path back to the input capacitors. To keep this loop as small as possible, it is generally good practice to place some ceramic capacitance directly between the drain of the main switching MOSFET and the source of the synchronous rectifier (SR) through a power ground plane directly under the MOSFETs.

The output current loop includes the SR MOSFET, the inductor, the output capacitors, and the ground return between the output capacitors and the source of the SR MOSFET. As with the input current loop, the ground return between the output capacitor ground and the source of the SR MOSFET should be routed under the inductor and SR MOSFET to minimize the power loop area.

The SW node area should be as small as possible to reduce the parasitic capacitance and minimize the radiated emissions.

The gate drive loop impedance (HDRV-gate-source-SW and LDRV-gate-source-GND) should be kept to as low as possible. The HDRV and LDRV connections should widen to 20mils as soon as possible out from the IC pin.

Device Peripheral

The TPS40180 provides separate signal ground (GND) and power ground (PGND) pins. It is required to separate properly the circuit grounds. The return path for the pins associated with the power stage should be through PGND. The other pins especially for those sensitive pins such as FB, RT and ILIM should be through the low noise GND. The GND and PGND plane are suggested to be connected at the output capacitor with single 20 mil trace.

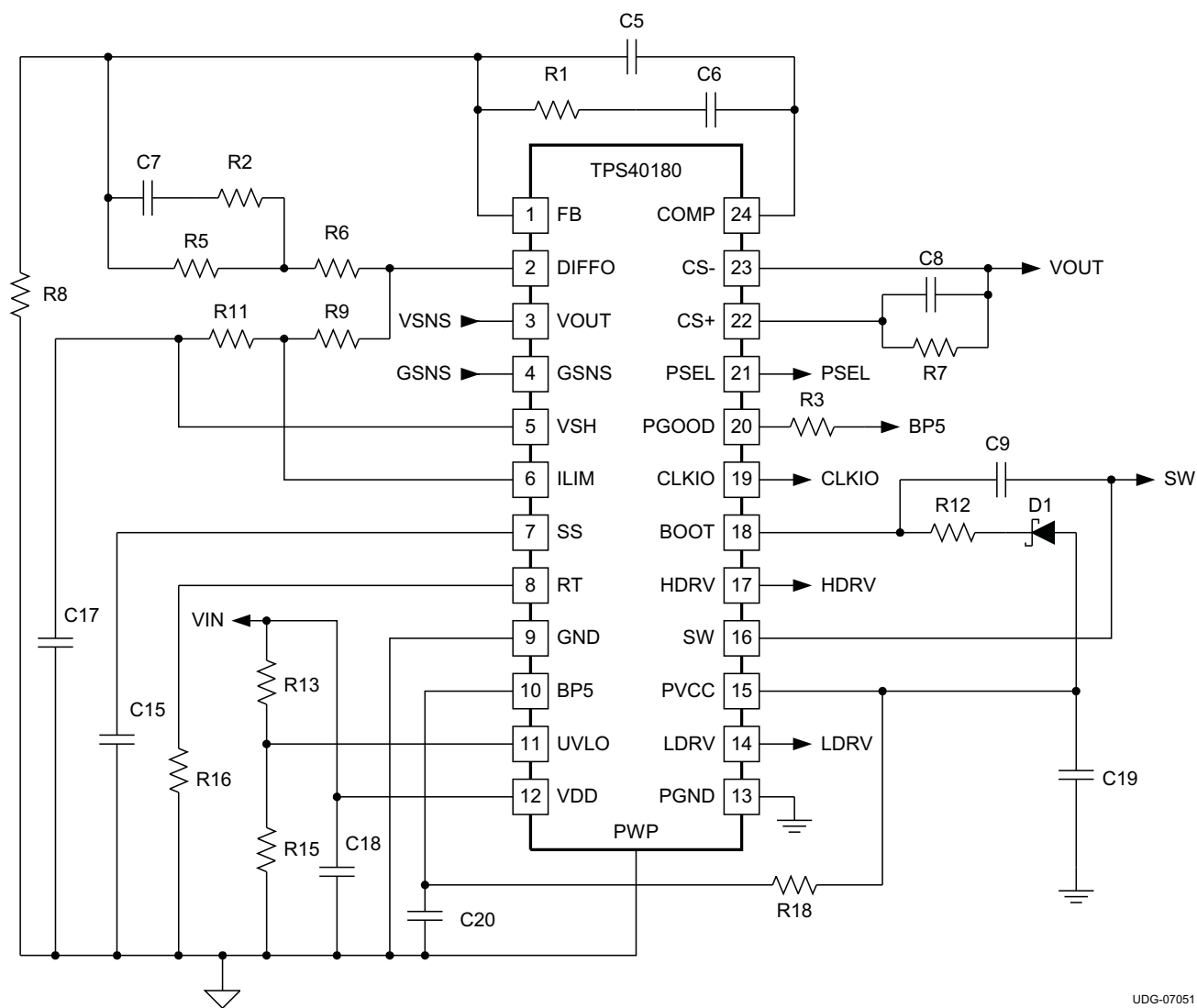
A minimum 0.1- μ F ceramic capacitor must be placed as close to the VDD pin and AGND as possible with at least 15 mil wide trace from the bypass capacitor to the GND.

A 4.7- μ F ceramic capacitor should be placed as close to the PVCC pin and PGND as possible.

BP5 is the filtered input from the PVCC pin. A 4.7- Ω resistor should be connected between PVCC and BP5 and a 1- μ F ceramic capacitor should be connected from BP5 to GND. Both components should be as close to BP5 pin as possible.

When a DCR sensing method is applied, the sensing resistor is placed close to the SW node. It is connected to the inductor with Kelvin connection. The sensing traces from the power stage to the chip should be away from the switching components. The sensing capacitor should be placed very close to the CS+ and CS- pins. The frequency setting resistor should be placed as close to RT pin and GND as possible. The VOUT and GSNS pins should be directly connected to the point of load where the voltage regulation is required.

A parallel pair of 10-mil traces connects the regulated voltage back to the chip. They should be away from the switching components. The PowerPAD should be electrically connected to GND.



UDG-07051

Figure 34. TPS40180 Peripheral Schematic

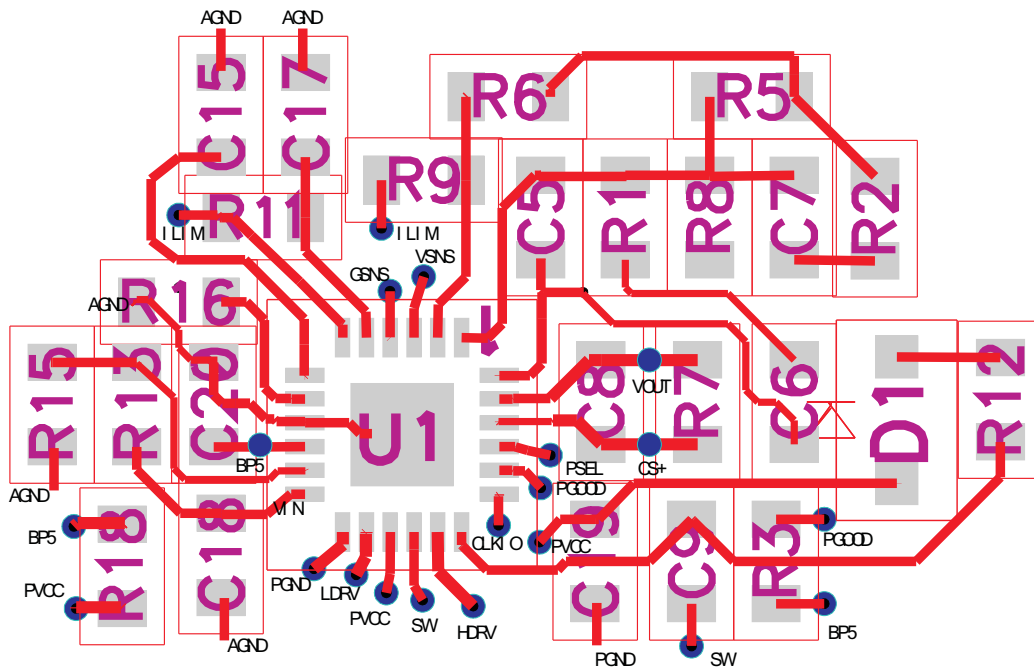


Figure 35. TPS40180 Recommended Layout for Peripheral Components

PowerPad Layout™

The PowerPAD™ package provides low thermal impedance for heat removal from the device. The PowerPAD™ derives its name and low thermal impedance from the large bonding pad on the bottom of the device. The circuit board must have an area of solder-tinned-copper underneath the package. The dimensions of this area depend on the size of the PowerPAD™ package. Thermal vias connect this area to internal or external copper planes and should have a drill diameter sufficiently small so that the via hole is effectively plugged when the barrel of the via is plated with copper. This plug is needed to prevent wicking the solder away from the interface between the package body and the solder-tinned area under the device during solder reflow. Drill diameters of 0.33 mm (13 mils) works well when 1-oz copper is plated at the surface of the board while simultaneously plating the barrel of the via. If the thermal vias are not plugged when the copper plating is performed, then a solder mask material should be used to cap the vias with a diameter equal to the via diameter plus 0.1 mm minimum. This capping prevents the solder from being wicked through the thermal vias and potentially creating a solder void under the package. Refer to PowerPAD™ Thermally Enhanced Package for more information on the PowerPAD™ package

DESIGN EXAMPLE

Single Output Configuration from 12-V to 1.5-V DC-to-DC Converter Using a TPS40180

The following example illustrates the design process and component selection for a single output synchronous buck converter using TPS40180. The design goal parameters are given in the table below. A list of symbol definitions is found at the end of this section.

Design Goal Parameters

SYMBOL	PARAMETER	TEST CONDITION	MIN	TYP	MAX	UNIT
V _{IN}	Input voltage		10.8	12	13.2	V
V _{OUT}	Output voltage			1.5		V
V _{RIPPLE}	Output ripple	I _{OUT} =20A		30		mV
I _{OUT}	Output current			20		A
f _{SW}	Switching frequency			280		kHz

Inductor Selection

The inductor is determined by the desired ripple current. The required inductor is calculated by:

$$L = \frac{V_{IN(max)} - V_{OUT}}{I_{RIPPLE}} \times \frac{V_{OUT}}{V_{IN(max)}} \times \frac{1}{f_{SW}} \quad (19)$$

Typically the peak to peak inductor current I_{RIPPLE} is selected to be around 25% of the rated output current. In this design, I_{RIPPLE} is targeted at 25% of I_{OUT}. The calculated inductor is 0.95 μH and in practical a 1uH inductor with 1.7 mΩ DCR from Vishay is selected. The real inductor ripple current is 4.7 A.

Step 2: Output Capacitor Selection

The output capacitor is typically selected by the output load transient response requirement. Equation 20 estimates the minimum capacitor to reach the under voltage requirement with load step up. Equation 21 estimates the minimum capacitor for over voltage requirement with load step down. When V_{IN(min)} < 2×V_{OUT}, the minimum output capacitance can be calculated using Equation 20. Otherwise, Equation 21 is used.

$$C_{OUT(min)} = \frac{I_{TRAN(max)}^2 \times L}{(V_{IN(min)} - V_{OUT}) \times V_{UNDER}} \quad (20)$$

when V_{IN(min)} < 2×V_{OUT}

$$C_{OUT(min)} = \frac{I_{TRAN(max)}^2 \times L}{V_{OUT} \times V_{OVER}} \quad (21)$$

when V_{IN(min)} > 2×V_{OUT}

In this design, V_{IN(min)} is much larger than 2×V_{OUT}, so Equation 21 is used to determine the minimum capacitance. Based on a 8-A load transient with a maximum of 60 mV deviation, a minimum 711-μF output capacitor is required. In the design, four 220-μF, 4-V, SP capacitor are selected to meet this requirement. Each capacitor has an ESR of 5 mΩ.

Another criterion for capacitor selection is the output ripple voltage. The output ripple is determined mainly by the capacitance and the ESR.

$$ESR_{C_{Co}} = \frac{V_{RIPPLE(TotOUT)} - V_{RIPPLE(COUT)}}{I_{RIPPLE}} = \frac{V_{RIPPLE(TotOUT)} - \left(\frac{I_{RIPPLE}}{8 \times C_{OUT} \times f_{SW}} \right)}{I_{RIPPLE}} \quad (22)$$

With an 880- μ F output capacitance, the ripple voltage at the capacitor is calculated to be 1.5 mV. In the specification, the output ripple voltage should be less than 30 mV, so based on Equation 22, the required maximum ESR is 9.4 m Ω . The selected capacitors can meet this requirement.

Step 3: Input Capacitor Selection

The input voltage ripple depends on input capacitance and ESR. The minimum capacitor and the maximum ESR can be estimated by:

$$C_{IN(min)} = \frac{I_{OUT} \times V_{OUT}}{V_{RIPPLE(Cin)} \times V_{IN} \times f_{SW}} \quad (23)$$

$$ESR_{Cin} = \frac{V_{RIPPLE(CinESR)}}{I_{OUT} + \frac{1}{2}I_{RIPPLE}} \quad (24)$$

For this design, assume $V_{RIPPLE(Cin)}$ is 100 mV and $V_{RIPPLE(CinESR)}$ is 50 mV, so the calculated minimum capacitance is 89 μ F and the maximum ESR is 2.3 m Ω . Choosing four 22 μ F, 16 V, 2m Ω ESR ceramic capacitors meets this requirement.

Another important thing for the input capacitor is the RMS ripple current rating. The RMS current in the input capacitor is estimated by:

$$I_{RMS_CIN} = \sqrt{D \times (1-D)} \times I_{OUT} \quad (25)$$

where

- D is the duty cycle

The calculated RMS current is 6.6 A. Each selected ceramic capacitor has a RMS current rating of 4.3 A, so it is sufficient to reach this requirement.

MOSFET Selection

The MOSFET selection determines the converter efficiency. In this design, the duty cycle is very small so that the high-side MOSFET is dominated with switching losses and the low-side MOSFET is dominated with conduction loss. To optimize the efficiency, choose smaller gate charge for the high-side MOSFET and smaller $R_{DS(on)}$ for the low-side MOSFET. RENESAS HAT2167H and HAT2164H are selected as the high-side and low-side MOSFET respectively. The power losses in the high-side MOSFET is calculated with the following equations:

The RMS current in the high-side MOSFET is

$$I_{SW_{rms}} = \sqrt{D \times \left(I_{OUT}^2 + \frac{I_{RIPPLE}^2}{12} \right)} = 7.08 \text{ A} \quad (26)$$

The $R_{DS(on)(sw)}$ is 9.3 m Ω when the MOSFET gate voltage is 4.5 V. The conduction loss is:

$$P_{SW(Cond)} = (I_{SW_{rms}})^2 \times R_{DS(on)(sw)} = 0.47 \text{ W} \quad (27)$$

The switching loss is:

$$P_{SW(sw)} = \frac{I_{PK} \times V_{IN} \times f_{SW} \times R_{DRV} \times (Q_{gdSW} + Q_{gsSW})}{V_{gtdrv}} = 0.35 \text{ W} \quad (28)$$

The calculated total loss is the high-side MOSFET is:

$$P_{SW(tot)} = P_{SW(cond)} + P_{SW(SW)} = 0.82 \text{ W} \quad (29)$$

The RMS current in the low-side MOSFET is:

$$I_{SRrms} = \sqrt{(1-D) \times I_{OUT}^2 + \frac{I_{RIPPLE}^2}{12}} = 18.7 \text{ A} \quad (30)$$

The $R_{DS(on)(sr)}$ of each HAT2164 is 4.4 mΩ when the gate voltage is 4.5 V. Two HAT2164 FETs are used in this design.

The conduction loss in the low-side MOSFETs is:

$$P_{SR(cond)} = (I_{SRrms})^2 \times \left(\frac{R_{DS(on)(sr)}}{2} \right) = 0.77 \text{ W} \quad (31)$$

The total power loss in the body diode is:

$$P_{DIODE} = 2 \times I_{OUT} \times t_D \times V_f \times f_{SW} = 0.39 \text{ W} \quad (32)$$

Therefore, the calculated total loss in the SR MOSFETs is:

$$P_{SR(tot)} = P_{SR(cond)} + P_{DIODE} = 1.16 \text{ W} \quad (33)$$

Peripheral Component Design

Switching Frequency Setting (RT)

$$R_T = \frac{3.675 \times 10^5}{(f_{SW})^2} + \frac{2.824 \times 10^4}{f_{SW}} - 5.355 = 100 \text{ k}\Omega \quad (34)$$

In the design, a 95.3 kΩ resistor is selected. The actual switching frequency is 280 kHz.

Output Voltage Setting (FB)

Substitute the top resistor R1 with 10 kΩ in the following equation, and then calculate the bottom bias resistor.

$$R_{BIAS} = 0.7 \times \frac{R1}{V_{OUT} - 0.7} = 8.66 \text{ k}\Omega \quad (35)$$

Current Sensing Network Design (CS+, CS-)

Choosing C1 a value for 0.1 μF, and calculating R with the following equations.

$$R = \frac{L}{DCR \times C1} = 6 \text{ k}\Omega \quad (36)$$

Overcurrent Protection (ILIM)

ILIM pin is connected to VSH and VOUT pins with R1 and R2 respectively. [Equation 15](#) and [Equation 16](#) are used to calculate the over current setting resistors. The DC over current rating is set at 28 A. The calculated values are 41 kΩ and 830 kΩ for R1 and R2 respectively. In the final design, R1 and R2 are chosen as 36.5 kΩ and 787 kΩ for temperature and other tolerances compensation.

V_{REG} (PVCC)

A 4.7-μF capacitor is recommended to filter noise.

BP5

A 4.7-Ω resistor and 1-μF capacitor is placed between V_{REG} and BP5 as a low pass filter.

Phase Select (PSEL)

If the board is configured as a clock master for a multiphase application, an 8-phase CLKIO signal is generated if PSEL pin is open, and a 6-phase CLKIO signal is generated if PSEL is tied to ground with a 29.4-kΩ resistor. If the board is stacked as a slave for a multiphase application, a different resistor value is selected. The PSEL resistor selection is illustrated in the previous datasheet section.

VSHARE (VSH)

A 1-μF capacitor is tied from VSHARE to GND.

Powergood (PGOOD)

The PGOOD pin is tied to BP5 with a 10-kΩ resistor.

Undervoltage Lockout (UVLO)

UVLO is connected to the input voltage with a resistor divider. The two resistors have the same value of 10 kΩ. When the input voltage is higher than 2 V, the internal linear regulator is enabled.

Clock Synchronization (CLKIO)

CLKIO is floating as no clock synchronization required for single output configuration.

Bootstrap Capacitor

A bootstrap capacitor is connected between the BOOT and SW pin. The bootstrap capacitor depends on the total gate charge of the high side MOSFET and the amount of droop allowed on the bootstrap capacitor

$$C_{\text{BOOT}} = \frac{Q_g}{\Delta V} = 55 \text{ nF} \quad (37)$$

Q_g is 11 nC and is 0.2 V in the calculation. For this application, a 0.1-μF capacitor is selected.

Soft-Start (SS)

To get about 1-ms soft-start time, a 22-nF capacitor is tied to SS pin.

$$C_{\text{SS}} = \frac{I_{\text{SS}} \times T_{\text{SS}}}{V_{\text{REF}}} = 22 \text{ nF} \quad (38)$$

I_{SS} is the soft-start current which is 15- μA typically. V_{REF} is the reference voltage 0.7 V.

Remote Sense

VO_{UT} and GSNS are connected to the remote sensing output connector. DIFFO is connected to the output voltage setting resistor divider. If the differential amplifier is not used, VO_{UT} and GSNS are suggested to be grounded, and DIFFO is left open.

Feedback Compensator Design

Peak current mode control method is employed in the controller. A small signal model is developed from the COMP signal to the output.

$$G_{\text{VC}(s)} = \frac{1}{\text{DCR} \times A_C} \times \frac{1}{s \times \tau_s + 1} \times \frac{(s \times C_{\text{OUT}} \times \text{ESR} + 1) \times R_{\text{OUT}}}{s \times C_{\text{OUT}} \times R_{\text{OUT}} + 1} \quad (39)$$

The time constant is defined by:

$$\tau_s = \frac{T}{\ln \left(\frac{\left(\frac{V_{RAMP}}{T} \right) - \left(\frac{V_{OUT}}{L} \right) \times DCR \times AC}{\left(\frac{V_{RAMP}}{T} \right) - \left(\frac{V_{IN} - V_{OUT}}{L} \right) \times DCR \times A_C - \left(\frac{2 \times V_{OUT}}{L} \right) \times DCR \times A_C} \right)} \quad (40)$$

Equation 40 is applied when the PWM pulse width is shorter than the current loop delay. The current loop delay is typically 100ns.

$$\tau_s = \frac{T}{\ln \left(\frac{\left(\frac{V_{RAMP}}{T} \right) + \left(\frac{V_{IN} - V_{OUT}}{L} \right) \times DCR \times AC}{\left(\frac{V_{RAMP}}{T} \right) - \left(\frac{V_{OUT}}{L} \right) \times DCR \times A_C} \right)} \quad (41)$$

Equation 41 is applied when the PWM pulse width is longer than the current loop delay. The current loop delay is typically 100ns. Equation 42 is used in this design because the PWM pulse width is much larger than the current loop delay. The low frequency pole is calculated by:

$$f_{VCP1} = \frac{1}{2 \times \pi \times C_{OUT} \times R_{OUT}} = 2.36 \text{ kHz} \quad (42)$$

The ESR zero is calculated by:

$$f_{ESR} = \frac{1}{2 \times \pi \times C_{OUT} \times ESR} = 176.8 \text{ kHz} \quad (43)$$

In this design, a Type II compensator is employed to compensate the loop.

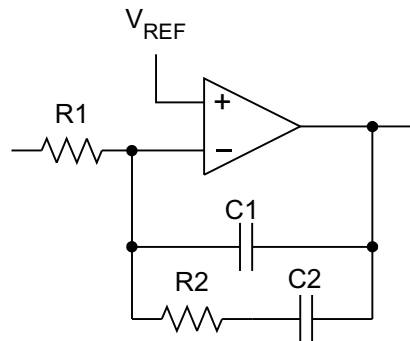


Figure 36. Type II Compensator

The compensator transfer function is:

$$G_c(s) = \frac{1}{R1 \times (C1 + C2)} \times \frac{s \times R2 \times C2 + 1}{s \times \left(s \times R2 \times \left(\frac{C1 \times C2}{C1 + C2} \right) + 1 \right)} \quad (44)$$

The loop gain transfer function is:

$$T_{V(s)} = G_{C(s)} \times G_{VC(s)} \tag{45}$$

Assume the desired crossover frequency is 25 kHz, then set the compensator zero about 1/10 of the crossover frequency and the compensator pole equal to the ESR zero. The compensator gain is then calculated to achieve the desired bandwidth. In this design, the compensator gain, pole and zero are selected using Equation 46 through Equation 49.

$$f_p = \frac{1}{2 \times \pi \times R2 \times \left(\frac{C1 \times C2}{C1 + C2} \right)} = 176.8 \text{ kHz} \tag{46}$$

$$f_z = \frac{1}{2 \times \pi \times R2 \times C2} = 2.5 \text{ kHz} \tag{47}$$

$$|T_V(j \times 2 \times \pi \times f_C)| = 1 \tag{48}$$

From Equation 48, the compensator gain is solved as 4.5×10^5 .

$$A_{CM} = \frac{1}{R1 \times (C1 + C2)} = 6.29 \times 10^4 \tag{49}$$

Set R1 equal to 10 kΩ, and then calculate all the other components.

- R2=40 kΩ
- C1=22 pF
- C2=1.6 nF

In the real laboratory practice, the final components are selected as following to increase the phase margin and reduce PWM jitter.

- R1=10 kΩ
- R2=39 kΩ
- C1=22 pF
- C2=2.7nF

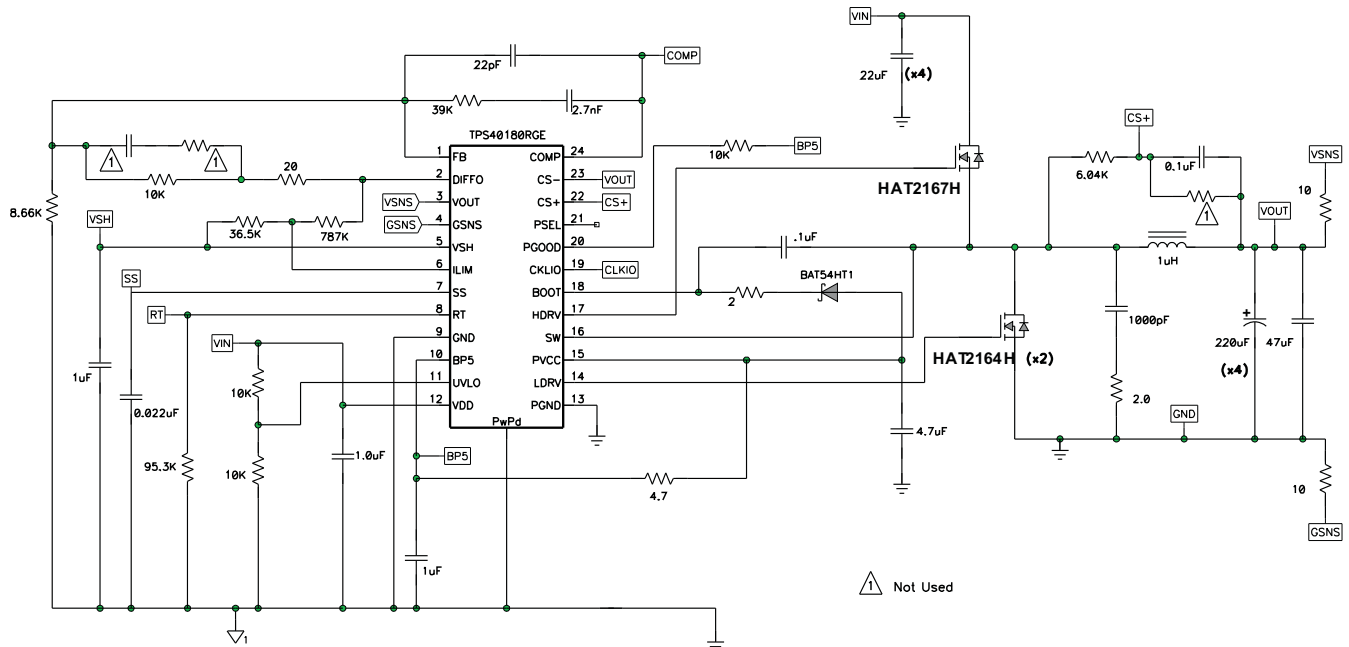


Figure 37. Single Output Converter Schematic

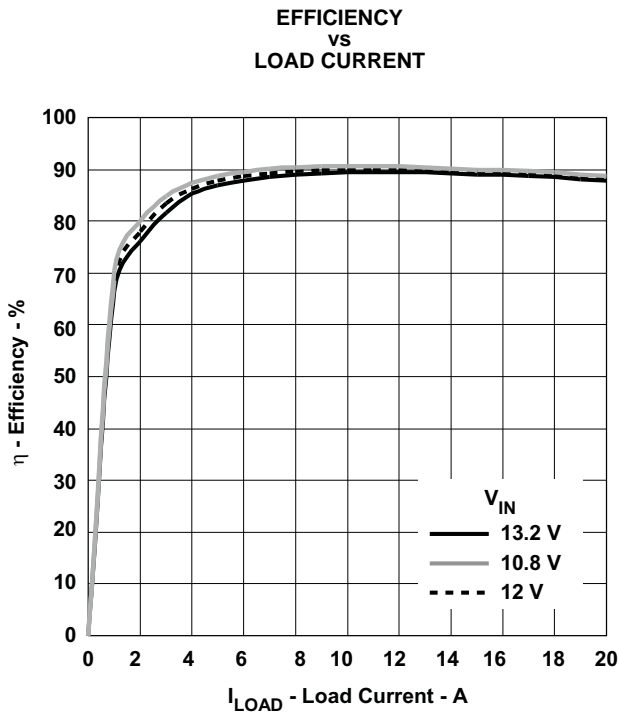


Figure 38. Efficiency Curve

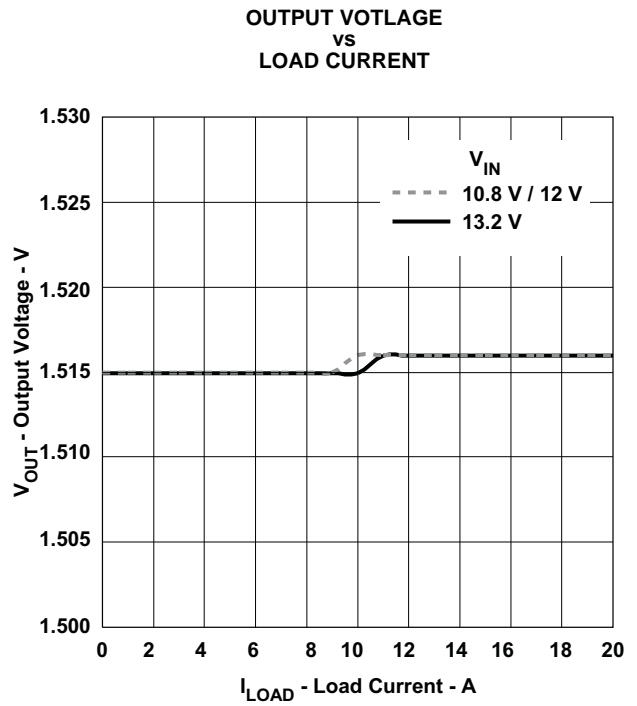


Figure 39. Output Load Regulation

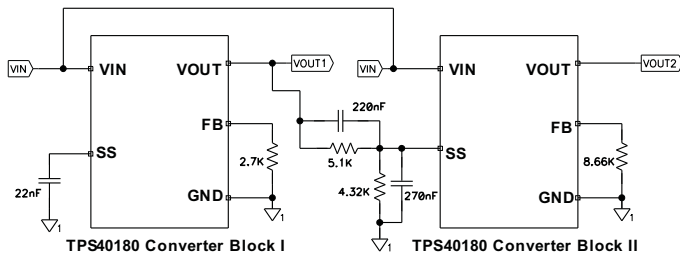
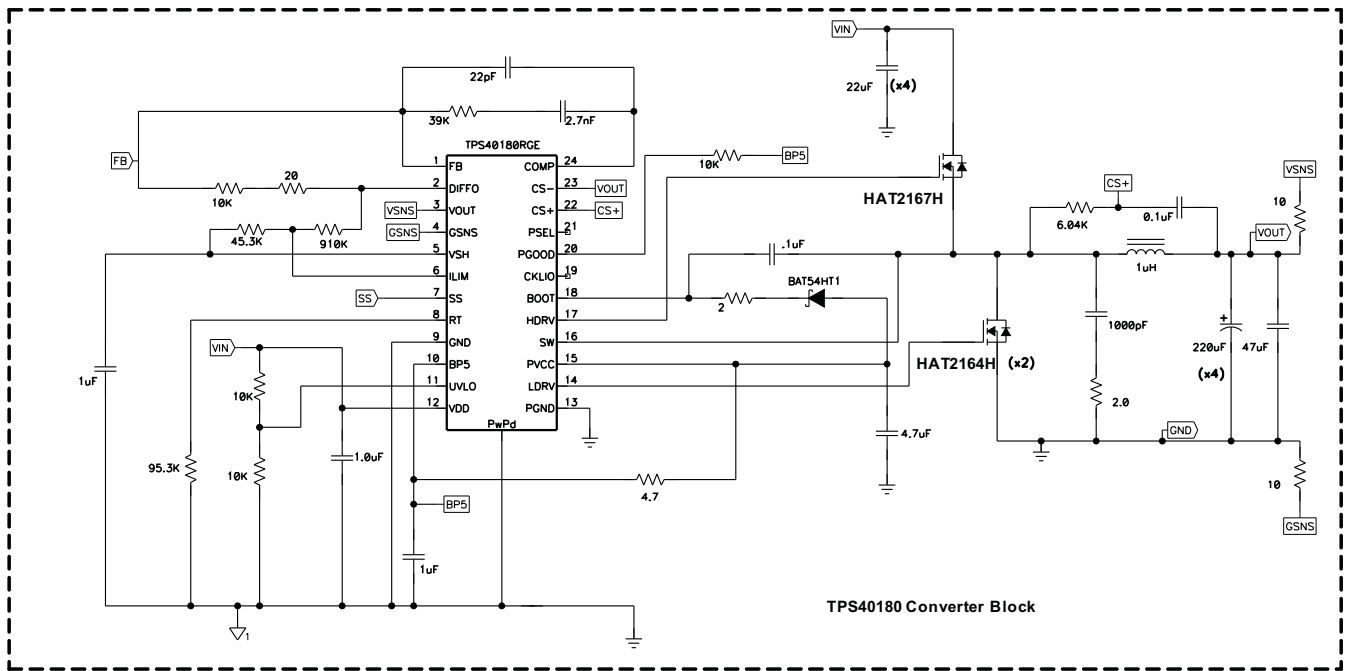


Figure 40. Additional Application Circuit I: Simultaneous Tracking with TPS40180 Devices

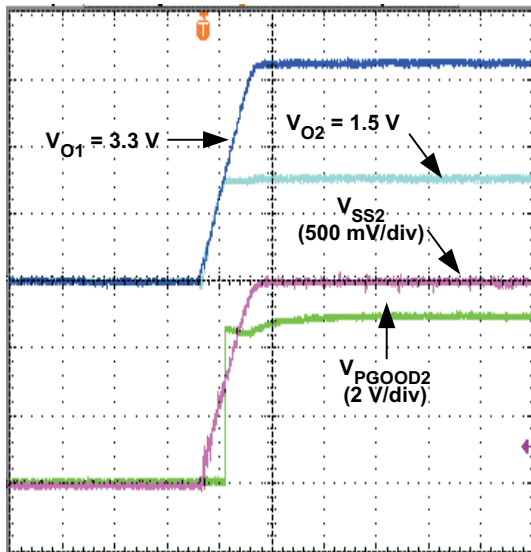


Figure 41. Simultaneously Tracking Up

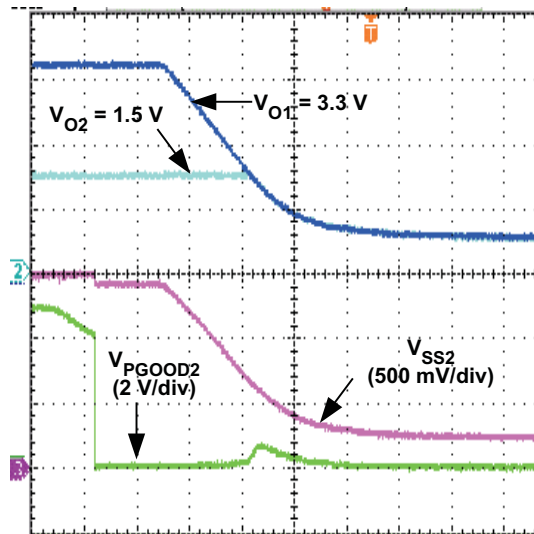


Figure 42. Simultaneously Tracking Down

In Figure 43, Block I and Block II are configured as master and slave respectively.

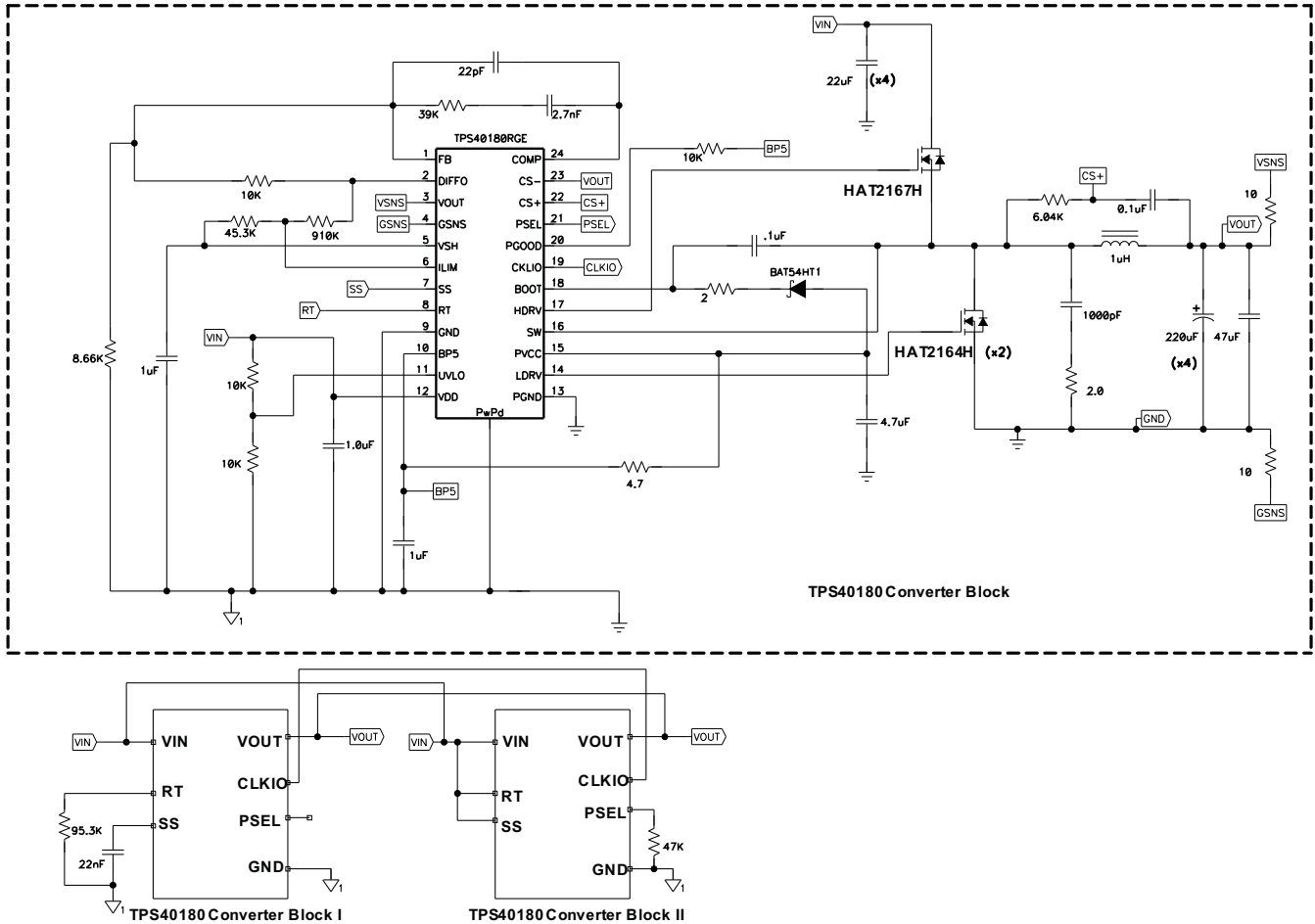


Figure 43. 2-Phase Single Output Schematic with TPS40180, $V_{IN}=12V$, $V_{OUT}=1.5V$, $I_{OUT}=40A$;

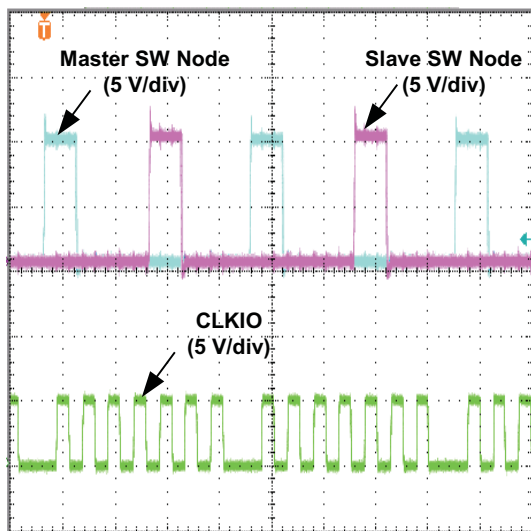


Figure 44. Switch Node and CLKIO Waveforms

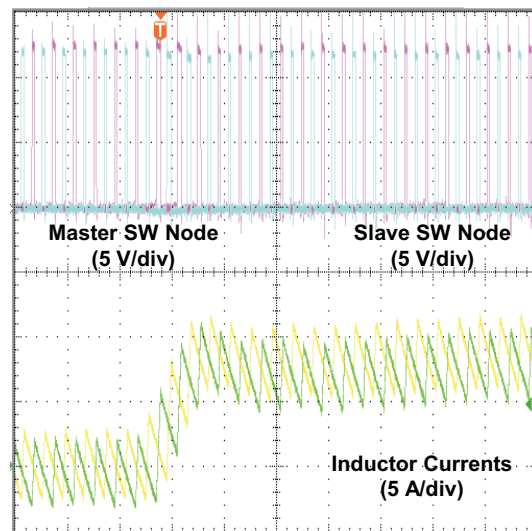


Figure 45. Current Balance at 0 A to 16 A Load Step Up, 2.5 A/ μ s Slew Rate

Table 6. Definitions

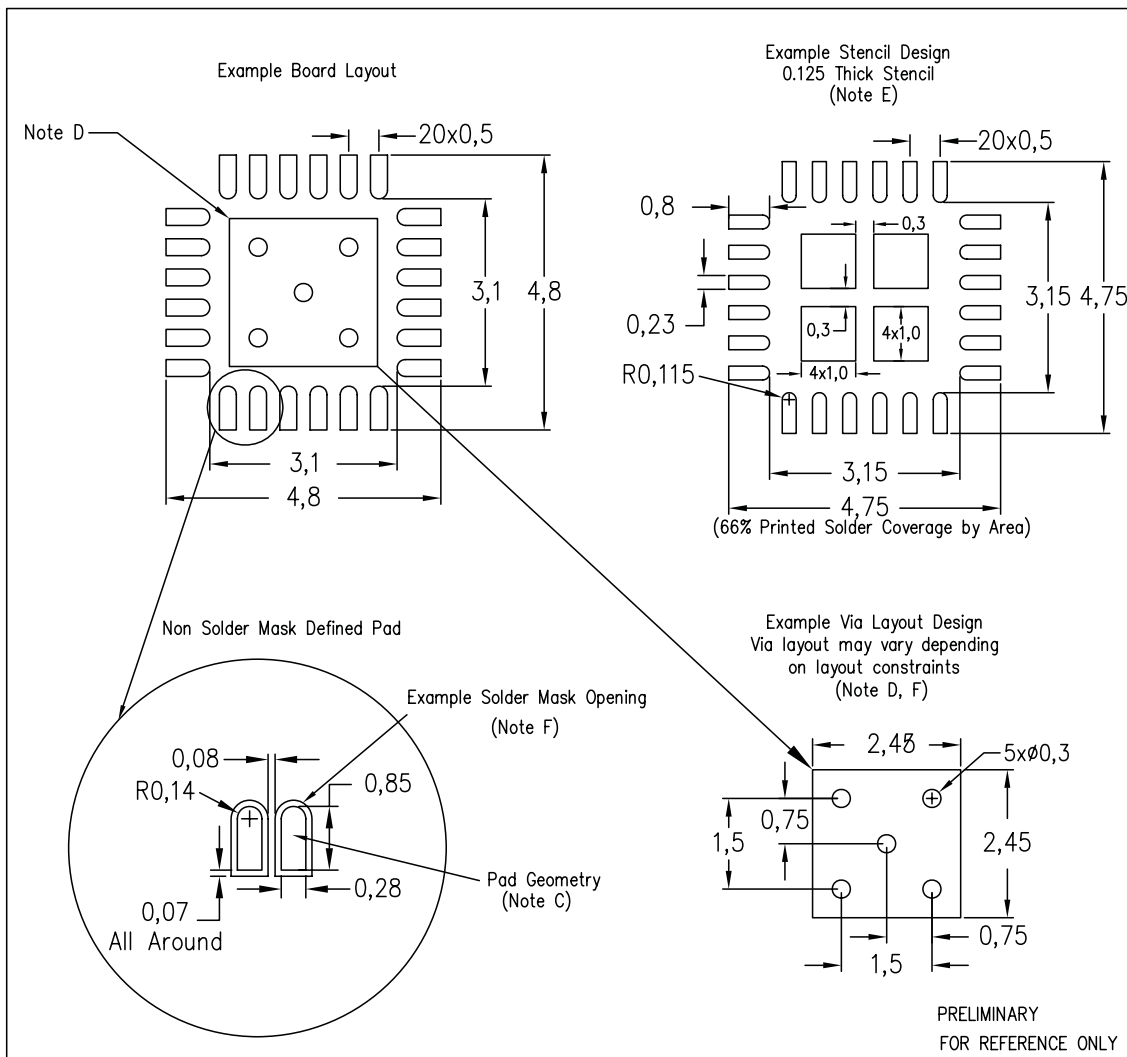
SYMBOL	DESCRIPTION
$V_{IN(min)}$	Minimum Operating Input voltage
$V_{IN(max)}$	Maximum Operating Input Voltage
V_{OUT}	Output Voltage
I_{RIPPLE}	Inductor Peak-Peak Ripple Current
$I_{TRAN(max)}$	Maximum Load Transient
V_{UNDER}	Output Voltage Undershot
V_{OVER}	Output Voltage Overshot
$V_{RIPPLE(totOUT)}$	Total Output Ripple
$V_{RIPPLE(COUT)}$	Output Voltage Ripple Due to Output Capacitance
$V_{RIPPLE(CIN)}$	Input Voltage Ripple Due to Input Capacitance
$V_{RIPPLE(CinESR)}$	Input Voltage Ripple Due to the ESR of Input Capacitance
$P_{SW(cond)}$	High Side MOSFET Conduction Loss
I_{SWrms}	RMS Current in the High Side MOSFET
$R_{DS(on)(SW)}$	“ON” Drain-Source Resistance of the High Side MOSFET
$P_{SW(sw)}$	High Side MOSFET Switching Loss
I_{PK}	Peak Current Through the High Side MOSFET
R_{DRV}	Driver Resistance of the High Side MOSFET
Q_{gdSW}	Gate to Drain Charge of the High Side MOSFET
Q_{gsSW}	Gate to Source Charge of the High Side MOSFET
V_{GSW}	Gate Drive Voltage of the High Side MOSFET
$P_{SW(gate)}$	Gate Drive Loss of the High Side MOSFET
Q_{gSW}	Gate Charge of the High Side MOSFET
$P_{SW(tot)}$	Total Losses of the High Side MOSFET
$P_{SR(cond)}$	Low Side MOSFET Conduction Loss
I_{SRrms}	RMS Current in the Low Side MOSFET
$R_{DS(on)(SR)}$	“ON” Drain-Source Resistance of the low Side MOSFET
$P_{SR(gate)}$	Gate Drive Loss of the Low Side MOSFET
Q_{gSR}	Gate Charge of the Low Side MOSFET
V_{GSR}	Gate Drive Voltage of the Low Side MOSFET
P_{DIODE}	Power Loss in the Diode
t_D	Dead Time Between the Conduction of High and Low Side MOSFET
V_f	Forward Voltage Drop of the Body Diode of the Low Side MOSFET
$P_{SR(tot)}$	Total Losses of the Low Side MOSFET
DCR	Inductor DC Resistance
A_C	Gain of the Current Sensing Amplifier, typically it is 13
R_{OUT}	Output Load Resistance
V_{RAMP}	Ramp Amplitude, typically it is 0.5V
T	Switching Period
$G_{VC(s)}$	Control to Output Transfer Function
$G_C(s)$	Compensator Transfer Function
$T_V(s)$	Loop Gain Transfer Function
A_{CM}	Gain of the Compensator
f_P	The Pole Frequency of the Compensator
f_Z	The Zero Frequency of the Compensator

Additional References

PRELIMINARY
FOR REFERENCE ONLY

EXAMPLE LAND PATTERN

RGE (S-PQFP-N24)



- NOTES:
- All linear dimensions are in millimeters.
 - This drawing is subject to change without notice.
 - Publication IPC-7351 is recommended for alternate designs.
 - This package is designed to be soldered to a thermal pad on the board. Refer to Application Note, Quad Flat-Pack Packages, Texas Instruments Literature No. SCBA017, SLUA271, and also the Product Data Sheets for specific thermal information, via requirements, and recommended board layout. These documents are available at www.ti.com <<http://www.ti.com>>.
 - Laser cutting apertures with trapezoidal walls and also rounding corners will offer better paste release. Customers should contact their board assembly site for stencil design recommendations. Refer to IPC 7525 for stencil design considerations.
 - Customers should contact their board fabrication site for recommended solder mask tolerances and via tenting recommendations for vias placed in the thermal pad.

PACKAGING INFORMATION

Orderable Device	Status ⁽¹⁾	Package Type	Package Drawing	Pins	Package Qty	Eco Plan ⁽²⁾	Lead/Ball Finish	MSL Peak Temp ⁽³⁾
TPS40180RGER	ACTIVE	VQFN	RGE	24	3000	Green (RoHS & no Sb/Br)	CU NIPDAU	Level-2-260C-1 YEAR
TPS40180RGERG4	ACTIVE	VQFN	RGE	24	3000	Green (RoHS & no Sb/Br)	CU NIPDAU	Level-2-260C-1 YEAR
TPS40180RGET	ACTIVE	VQFN	RGE	24	250	Green (RoHS & no Sb/Br)	CU NIPDAU	Level-2-260C-1 YEAR
TPS40180RGETG4	ACTIVE	VQFN	RGE	24	250	Green (RoHS & no Sb/Br)	CU NIPDAU	Level-2-260C-1 YEAR

⁽¹⁾ The marketing status values are defined as follows:

ACTIVE: Product device recommended for new designs.

LIFEBUY: TI has announced that the device will be discontinued, and a lifetime-buy period is in effect.

NRND: Not recommended for new designs. Device is in production to support existing customers, but TI does not recommend using this part in a new design.

PREVIEW: Device has been announced but is not in production. Samples may or may not be available.

OBSOLETE: TI has discontinued the production of the device.

⁽²⁾ Eco Plan - The planned eco-friendly classification: Pb-Free (RoHS), Pb-Free (RoHS Exempt), or Green (RoHS & no Sb/Br) - please check <http://www.ti.com/productcontent> for the latest availability information and additional product content details.

TBD: The Pb-Free/Green conversion plan has not been defined.

Pb-Free (RoHS): TI's terms "Lead-Free" or "Pb-Free" mean semiconductor products that are compatible with the current RoHS requirements for all 6 substances, including the requirement that lead not exceed 0.1% by weight in homogeneous materials. Where designed to be soldered at high temperatures, TI Pb-Free products are suitable for use in specified lead-free processes.

Pb-Free (RoHS Exempt): This component has a RoHS exemption for either 1) lead-based flip-chip solder bumps used between the die and package, or 2) lead-based die adhesive used between the die and leadframe. The component is otherwise considered Pb-Free (RoHS compatible) as defined above.

Green (RoHS & no Sb/Br): TI defines "Green" to mean Pb-Free (RoHS compatible), and free of Bromine (Br) and Antimony (Sb) based flame retardants (Br or Sb do not exceed 0.1% by weight in homogeneous material)

⁽³⁾ MSL, Peak Temp. -- The Moisture Sensitivity Level rating according to the JEDEC industry standard classifications, and peak solder temperature.

Important Information and Disclaimer:The information provided on this page represents TI's knowledge and belief as of the date that it is provided. TI bases its knowledge and belief on information provided by third parties, and makes no representation or warranty as to the accuracy of such information. Efforts are underway to better integrate information from third parties. TI has taken and continues to take reasonable steps to provide representative and accurate information but may not have conducted destructive testing or chemical analysis on incoming materials and chemicals. TI and TI suppliers consider certain information to be proprietary, and thus CAS numbers and other limited information may not be available for release.

In no event shall TI's liability arising out of such information exceed the total purchase price of the TI part(s) at issue in this document sold by TI to Customer on an annual basis.

TAPE AND REEL INFORMATION



QUADRANT ASSIGNMENTS FOR PIN 1 ORIENTATION IN TAPE



*All dimensions are nominal

Device	Package Type	Package Drawing	Pins	SPQ	Reel Diameter (mm)	Reel Width W1 (mm)	A0 (mm)	B0 (mm)	K0 (mm)	P1 (mm)	W (mm)	Pin1 Quadrant
TPS40180RGER	VQFN	RGE	24	3000	330.0	12.4	4.3	4.3	1.5	8.0	12.0	Q2
TPS40180RGET	VQFN	RGE	24	250	180.0	12.4	4.3	4.3	1.5	8.0	12.0	Q2

TAPE AND REEL BOX DIMENSIONS



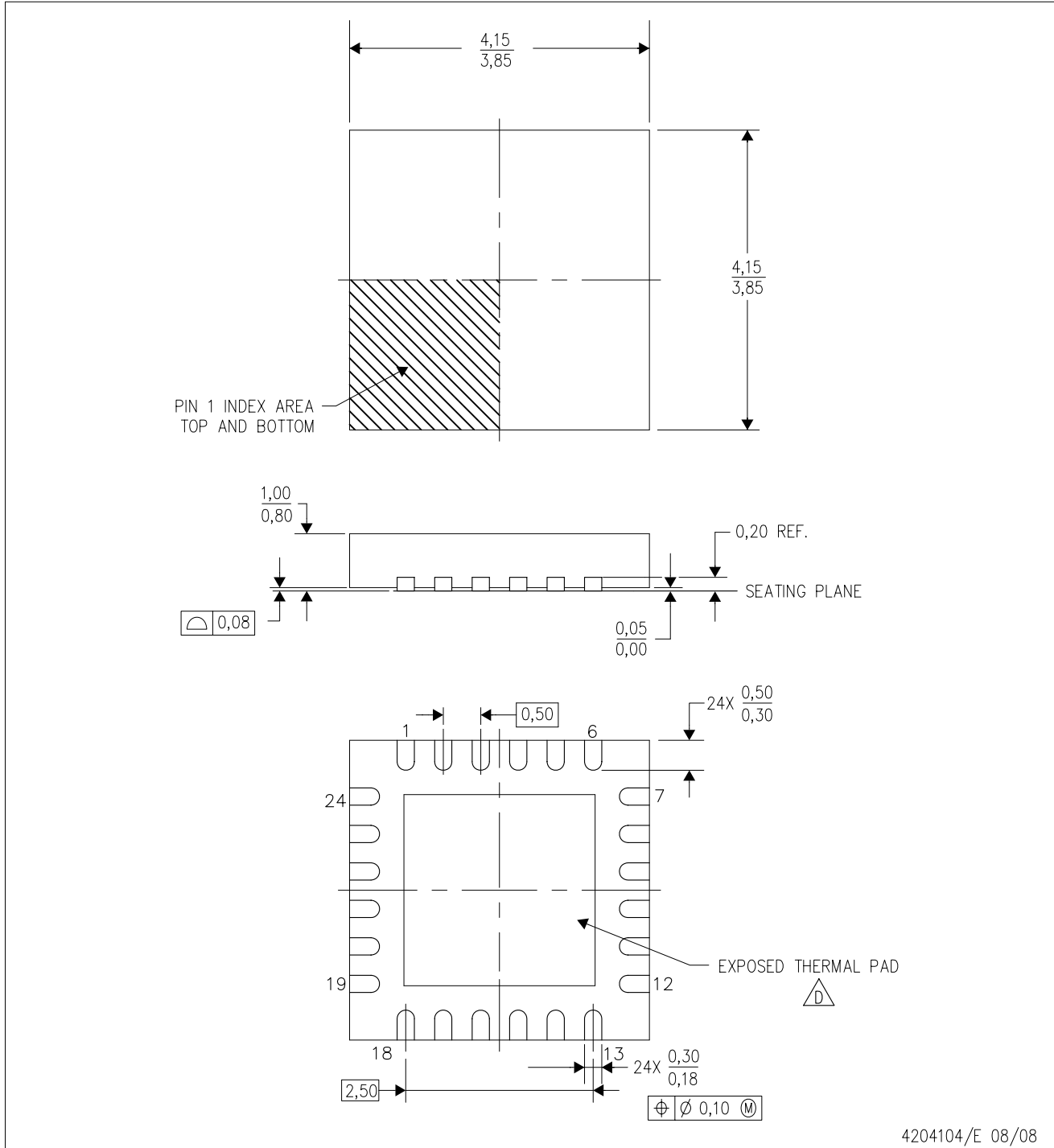
*All dimensions are nominal


Device	Package Type	Package Drawing	Pins	SPQ	Length (mm)	Width (mm)	Height (mm)
TPS40180RGER	VQFN	RGE	24	3000	346.0	346.0	29.0
TPS40180RGET	VQFN	RGE	24	250	190.5	212.7	31.8

MECHANICAL DATA

RGE (S-PVQFN-N24)

PLASTIC QUAD FLATPACK NO-LEAD



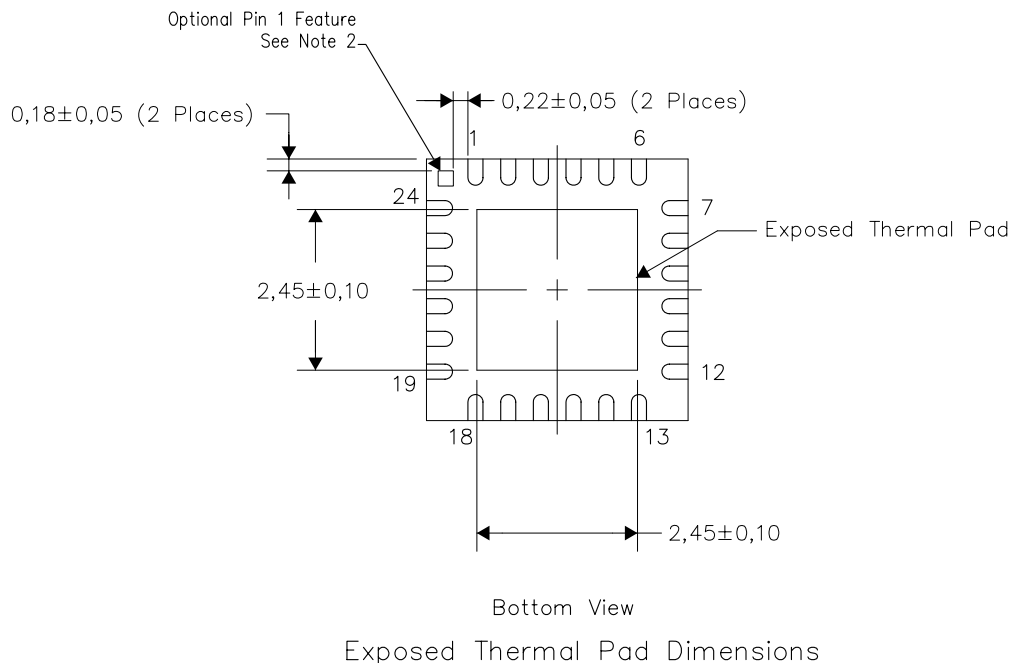
- NOTES:
- A. All linear dimensions are in millimeters. Dimensioning and tolerancing per ASME Y14.5M-1994.
 - B. This drawing is subject to change without notice.
 - C. Quad Flatpack, No-Leads (QFN) package configuration.
 -  The package thermal pad must be soldered to the board for thermal and mechanical performance. See the Product Data Sheet for details regarding the exposed thermal pad dimensions.
 - E. Falls within JEDEC MO-220.

THERMAL INFORMATION

This package incorporates an exposed thermal pad that is designed to be attached directly to an external heatsink. The thermal pad must be soldered directly to the printed circuit board (PCB). After soldering, the PCB can be used as a heatsink. In addition, through the use of thermal vias, the thermal pad can be attached directly to the appropriate copper plane shown in the electrical schematic for the device, or alternatively, can be attached to a special heatsink structure designed into the PCB. This design optimizes the heat transfer from the integrated circuit (IC).

For information on the Quad Flatpack No-Lead (QFN) package and its advantages, refer to Application Report, QFN/SON PCB Attachment, Texas Instruments Literature No. SLUA271. This document is available at www.ti.com.

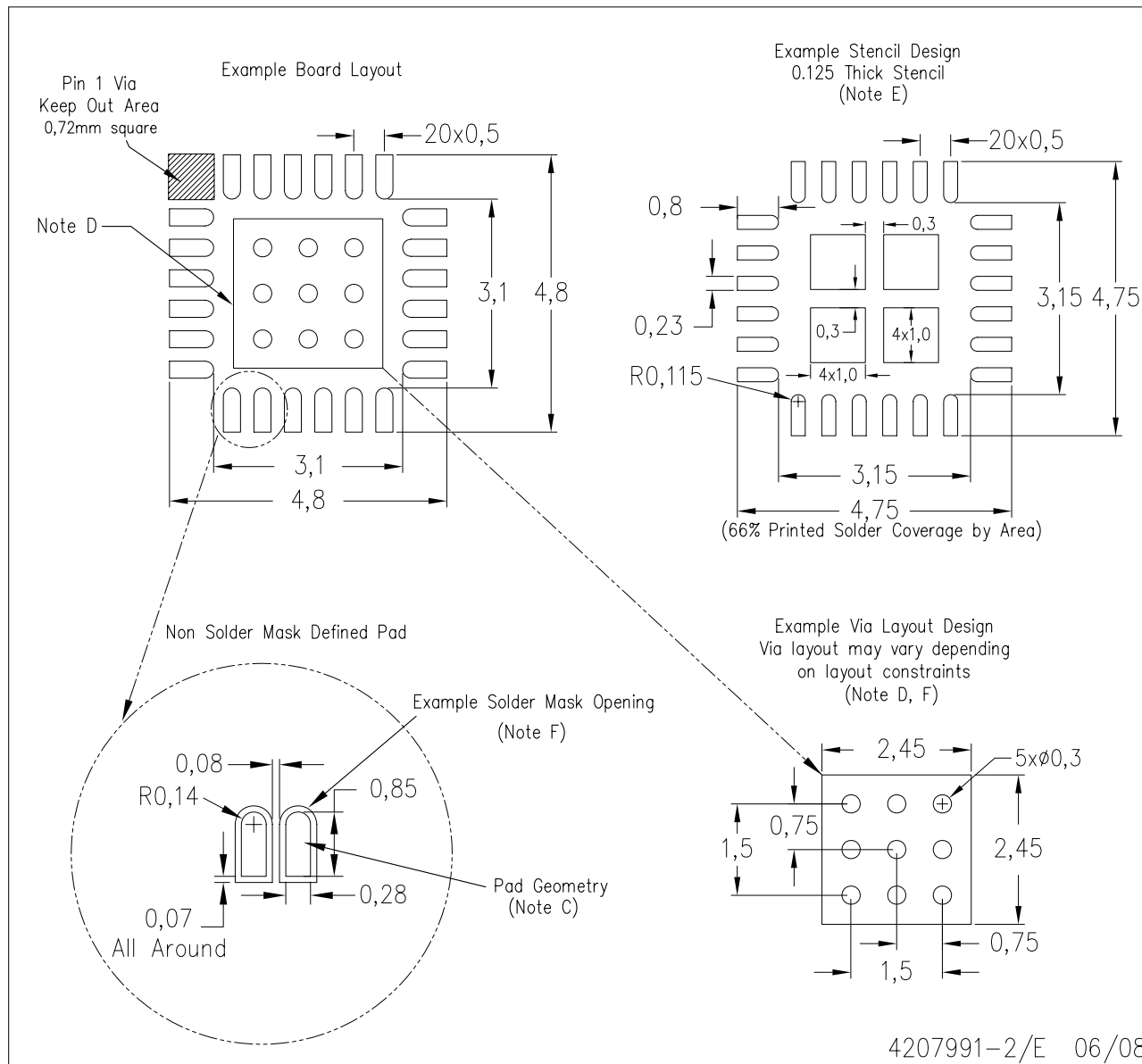
The exposed thermal pad dimensions for this package are shown in the following illustration.



NOTES:

- 1) All linear dimensions are in millimeters
- 2) The Pin 1 Identification mark is an optional feature that may be present on some devices
 In addition, this Pin 1 feature if present is electrically connected to the center thermal pad and therefore should be considered when routing the board layout.

RGE (S-PVQFN-N24)



- NOTES:
- All linear dimensions are in millimeters.
 - This drawing is subject to change without notice.
 - Publication IPC-7351 is recommended for alternate designs.
 - This package is designed to be soldered to a thermal pad on the board. Refer to Application Note, Quad Flat-Pack Packages, Texas Instruments Literature No. SCBA017, SLUA271, and also the Product Data Sheets for specific thermal information, via requirements, and recommended board layout. These documents are available at www.ti.com <<http://www.ti.com>>.
 - Laser cutting apertures with trapezoidal walls and also rounding corners will offer better paste release. Customers should contact their board assembly site for stencil design recommendations. Refer to IPC 7525 for stencil design considerations.
 - Customers should contact their board fabrication site for recommended solder mask tolerances and via tenting recommendations for vias placed in the thermal pad.

IMPORTANT NOTICE

Texas Instruments Incorporated and its subsidiaries (TI) reserve the right to make corrections, modifications, enhancements, improvements, and other changes to its products and services at any time and to discontinue any product or service without notice. Customers should obtain the latest relevant information before placing orders and should verify that such information is current and complete. All products are sold subject to TI's terms and conditions of sale supplied at the time of order acknowledgment.

TI warrants performance of its hardware products to the specifications applicable at the time of sale in accordance with TI's standard warranty. Testing and other quality control techniques are used to the extent TI deems necessary to support this warranty. Except where mandated by government requirements, testing of all parameters of each product is not necessarily performed.

TI assumes no liability for applications assistance or customer product design. Customers are responsible for their products and applications using TI components. To minimize the risks associated with customer products and applications, customers should provide adequate design and operating safeguards.

TI does not warrant or represent that any license, either express or implied, is granted under any TI patent right, copyright, mask work right, or other TI intellectual property right relating to any combination, machine, or process in which TI products or services are used. Information published by TI regarding third-party products or services does not constitute a license from TI to use such products or services or a warranty or endorsement thereof. Use of such information may require a license from a third party under the patents or other intellectual property of the third party, or a license from TI under the patents or other intellectual property of TI.

Reproduction of TI information in TI data books or data sheets is permissible only if reproduction is without alteration and is accompanied by all associated warranties, conditions, limitations, and notices. Reproduction of this information with alteration is an unfair and deceptive business practice. TI is not responsible or liable for such altered documentation. Information of third parties may be subject to additional restrictions.

Resale of TI products or services with statements different from or beyond the parameters stated by TI for that product or service voids all express and any implied warranties for the associated TI product or service and is an unfair and deceptive business practice. TI is not responsible or liable for any such statements.

TI products are not authorized for use in safety-critical applications (such as life support) where a failure of the TI product would reasonably be expected to cause severe personal injury or death, unless officers of the parties have executed an agreement specifically governing such use. Buyers represent that they have all necessary expertise in the safety and regulatory ramifications of their applications, and acknowledge and agree that they are solely responsible for all legal, regulatory and safety-related requirements concerning their products and any use of TI products in such safety-critical applications, notwithstanding any applications-related information or support that may be provided by TI. Further, Buyers must fully indemnify TI and its representatives against any damages arising out of the use of TI products in such safety-critical applications.

TI products are neither designed nor intended for use in military/aerospace applications or environments unless the TI products are specifically designated by TI as military-grade or "enhanced plastic." Only products designated by TI as military-grade meet military specifications. Buyers acknowledge and agree that any such use of TI products which TI has not designated as military-grade is solely at the Buyer's risk, and that they are solely responsible for compliance with all legal and regulatory requirements in connection with such use.

TI products are neither designed nor intended for use in automotive applications or environments unless the specific TI products are designated by TI as compliant with ISO/TS 16949 requirements. Buyers acknowledge and agree that, if they use any non-designated products in automotive applications, TI will not be responsible for any failure to meet such requirements.

Following are URLs where you can obtain information on other Texas Instruments products and application solutions:

Products

Amplifiers	amplifier.ti.com
Data Converters	dataconverter.ti.com
DSP	dsp.ti.com
Clocks and Timers	www.ti.com/clocks
Interface	interface.ti.com
Logic	logic.ti.com
Power Mgmt	power.ti.com
Microcontrollers	microcontroller.ti.com
RFID	www.ti-rfid.com
RF/IF and ZigBee® Solutions	www.ti.com/lprf

Applications

Audio	www.ti.com/audio
Automotive	www.ti.com/automotive
Broadband	www.ti.com/broadband
Digital Control	www.ti.com/digitalcontrol
Medical	www.ti.com/medical
Military	www.ti.com/military
Optical Networking	www.ti.com/opticalnetwork
Security	www.ti.com/security
Telephony	www.ti.com/telephony
Video & Imaging	www.ti.com/video
Wireless	www.ti.com/wireless

Mailing Address: Texas Instruments, Post Office Box 655303, Dallas, Texas 75265
Copyright © 2008, Texas Instruments Incorporated